

# INSTALLATION MANUAL

10107BT

**ecolight**



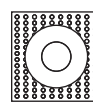
80 CRI

700mA | 7W | IP54 | Die cast

Requires 700mA driver



66mm



100x  
100mm



70mm



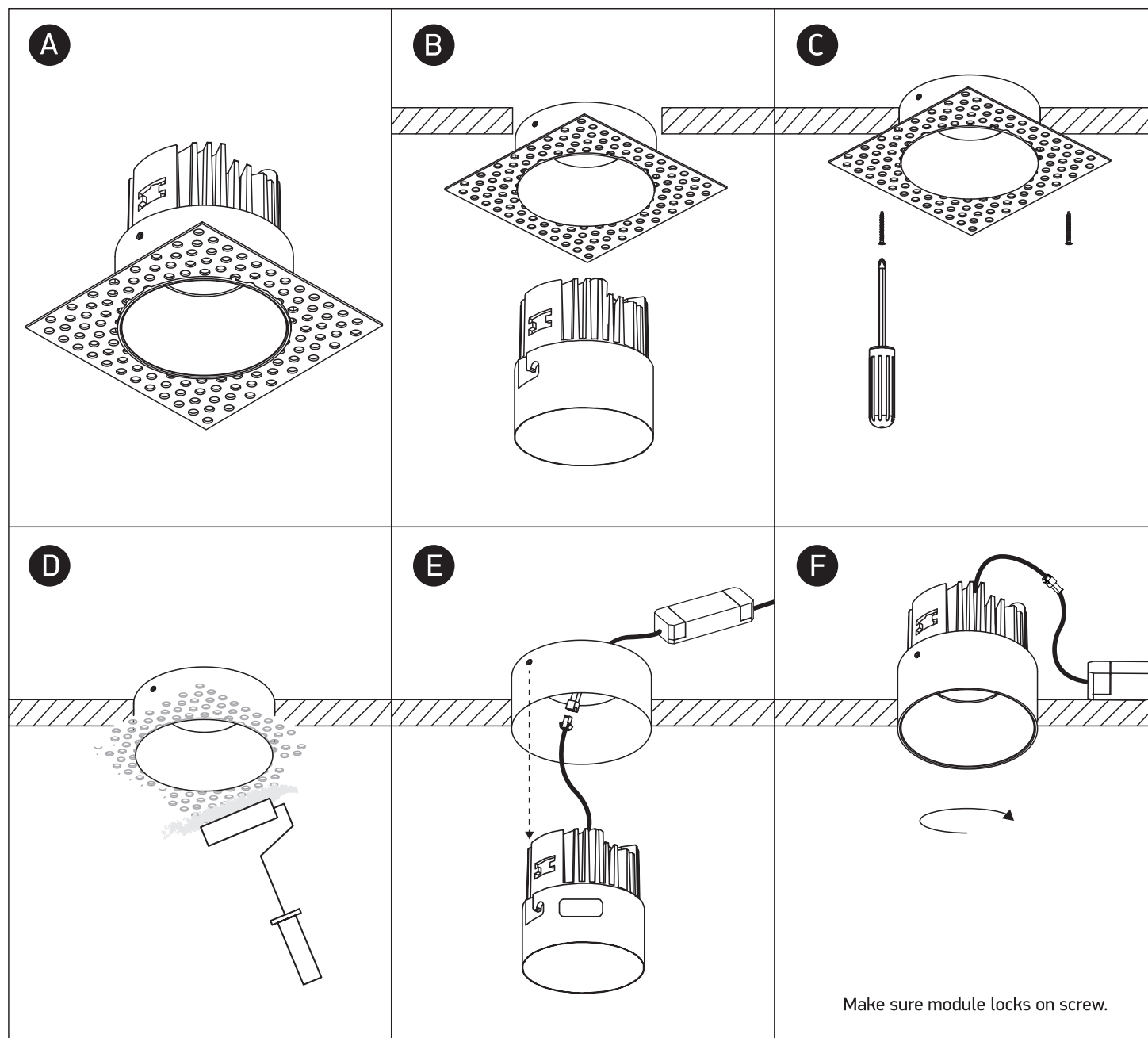
83mm



90mm



40cm



## Warnings:

1. Make sure that the product is installed properly before connecting to electricity.
2. Do not cover the fitting.
3. Maintenance and installation should only be carried out by a professional electrician.