

INSTALLATION MANUAL

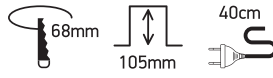
10107P

ecolight

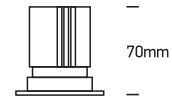


83mm

700mA | COB LED | 7W | IP65 | Die cast
Requires 700mA driver.

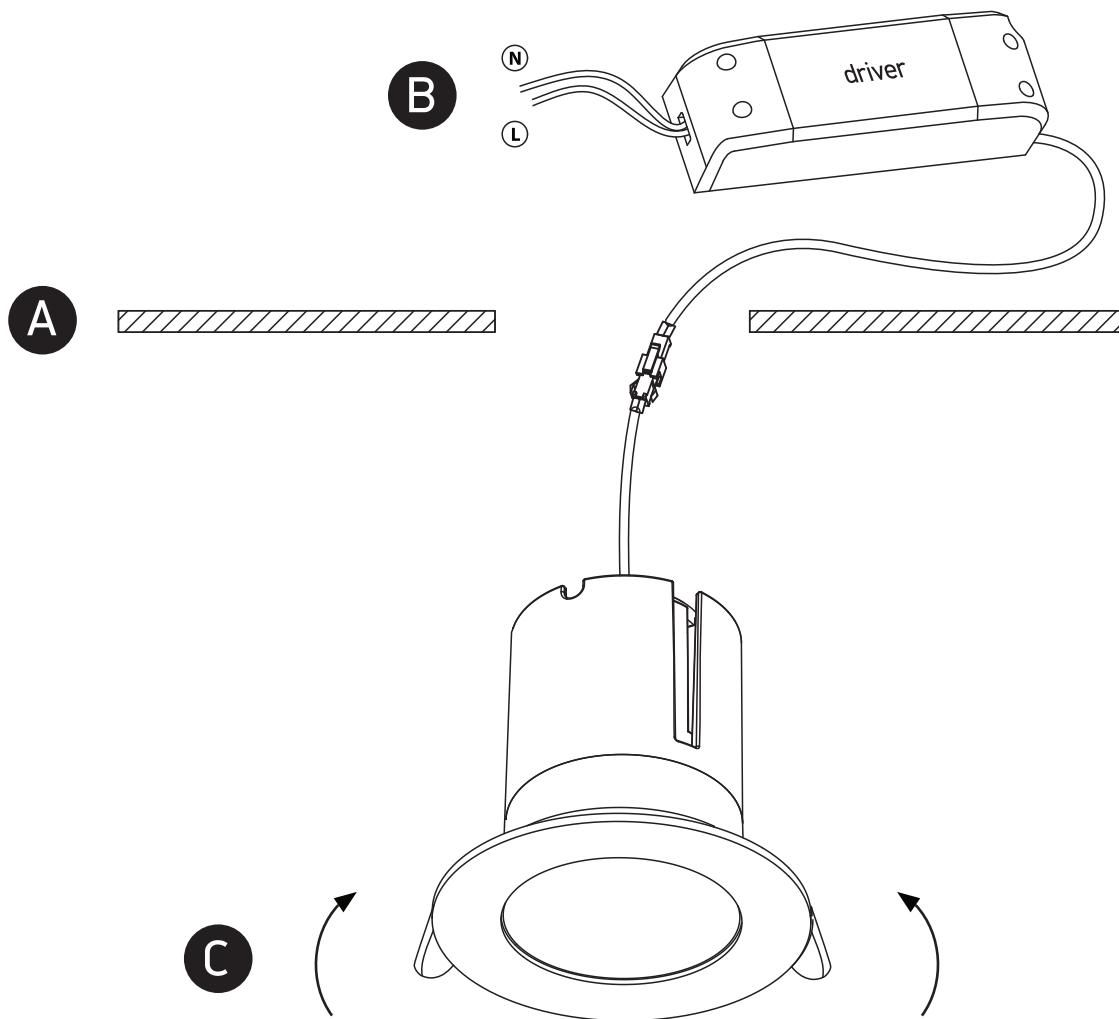


90 CRI



70mm

one
LIGHT



Warnings:

1. Make sure that the product is installed properly before connecting to electricity.
2. Do not cover the fitting.
3. Maintenance and installation should only be carried out by a professional electrician.