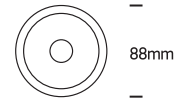


INSTALLATION MANUAL

10108D1

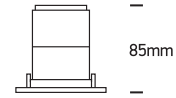
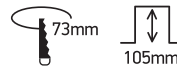
ecolight



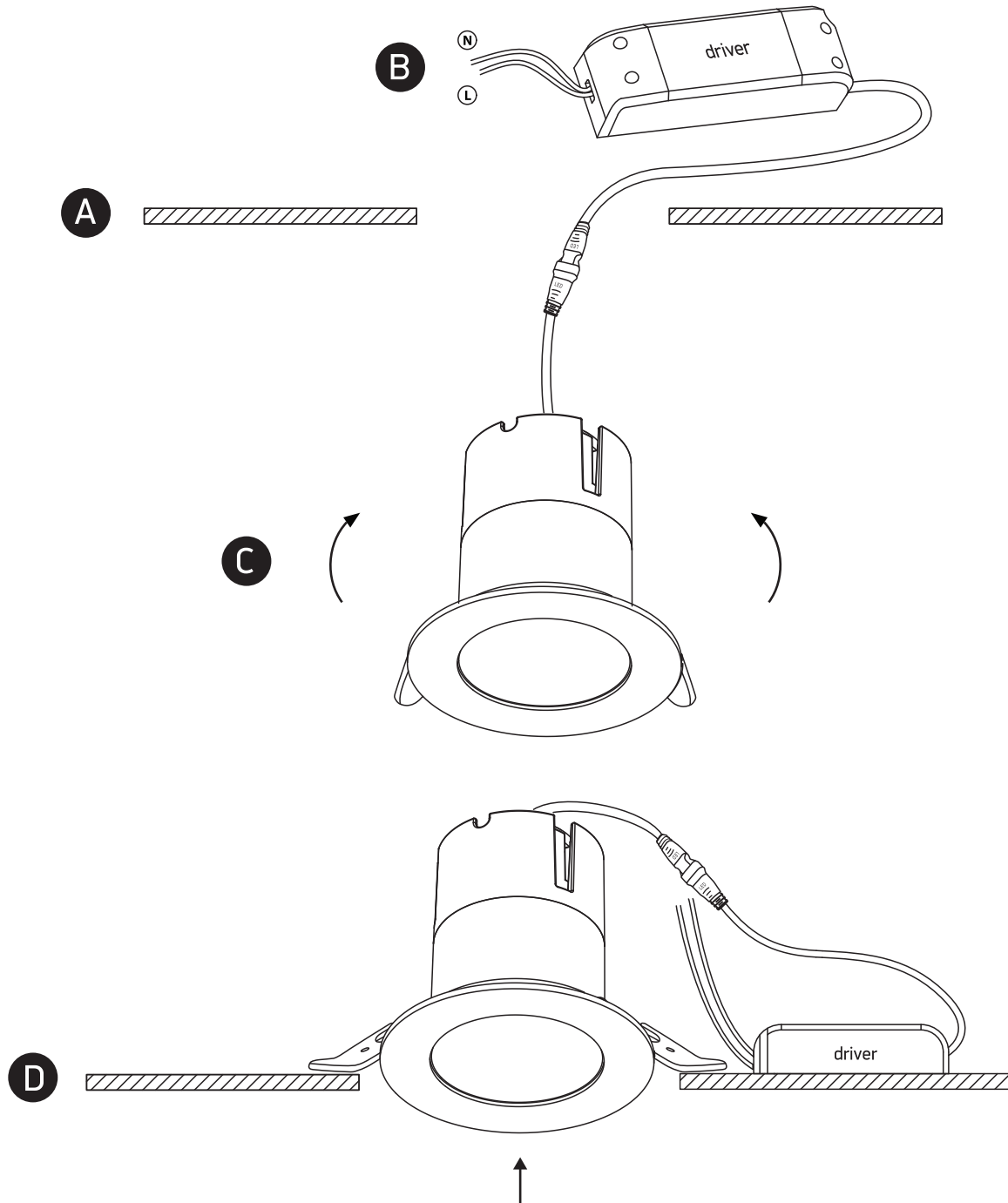
230V | 8W | IP20 | Die cast

Complete with 300mA driver.

80
CRI



one
LIGHT



Warnings:

1. Make sure that the product is installed properly before connecting to electricity.
2. Do not cover the fitting.
3. Maintenance and installation should only be carried out by a professional electrician.