

INSTALLATION MANUAL

11107C

ecolight



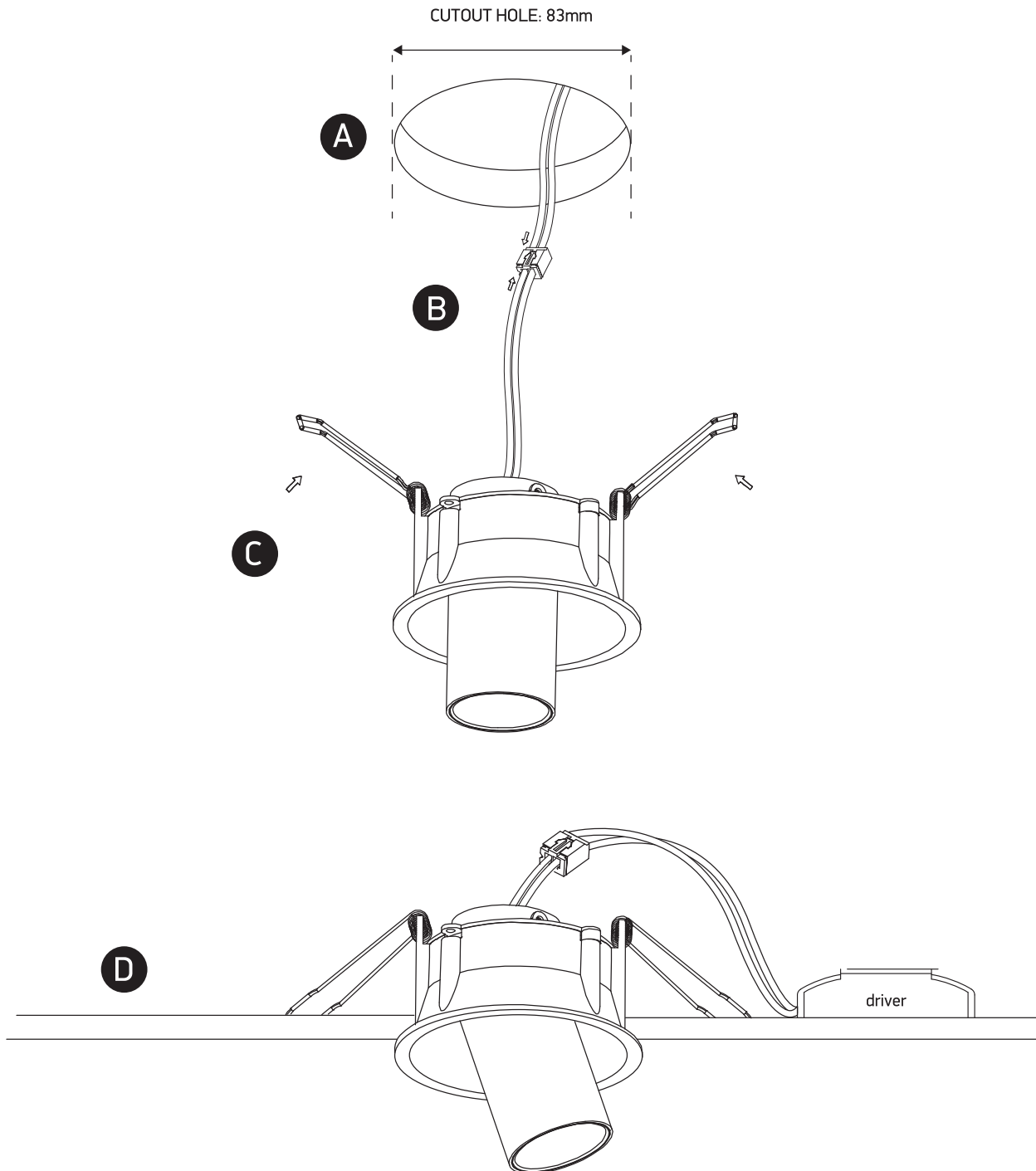
700mA | 7W | IP20 | Die cast | Adjustable
Requires 700mA driver.

90
CRI



90mm

one
LIGHT



Warnings:

1. Make sure that the product is installed properly before connecting to electricity.
2. Do not cover the fitting.
3. Maintenance and installation should only be carried out by a professional electrician.