

INSTALLATION MANUAL

38140AU

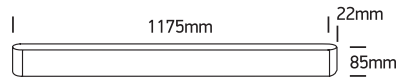
ecolight



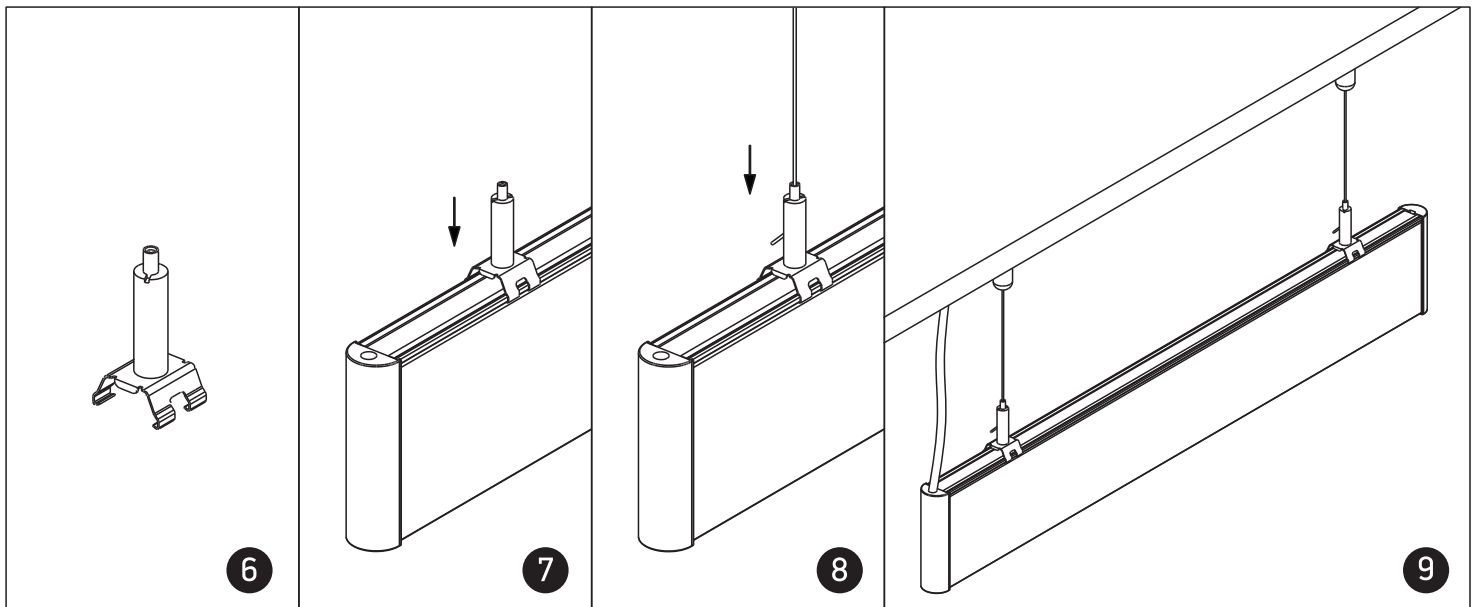
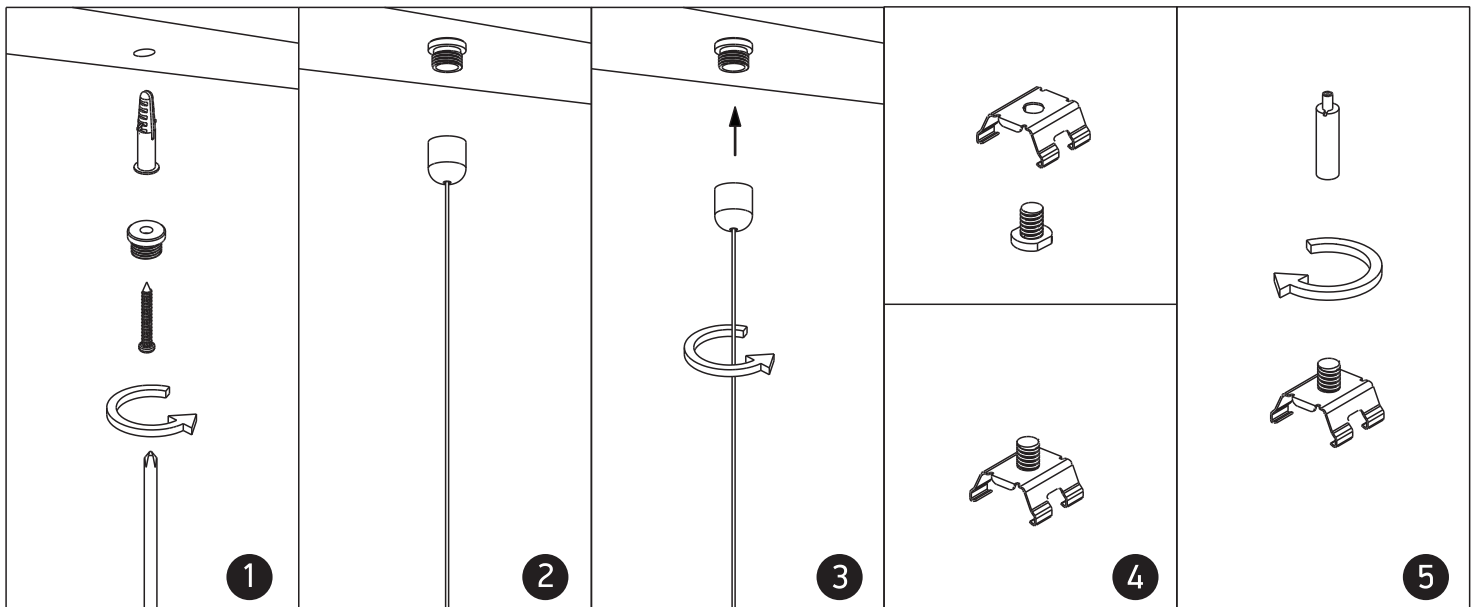
90
CRI



40W Downlight + Uplight | SMD 2835 | 230V | IP20 | Aluminium
Complete with 900mA driver



one
LIGHT



Warnings:

1. Make sure that the product is installed properly before connecting to electricity.
2. Do not cover the fitting.
3. Maintenance and installation should only be carried out by a professional electrician.