

# INSTALLATION MANUAL

38145AR

**ecolight**



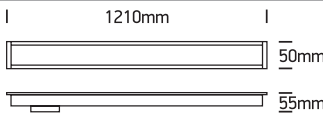
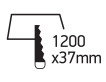
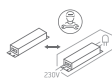
UGR19

90 CRI



230V | SMD 2835 | 40W | IP20 | Aluminium

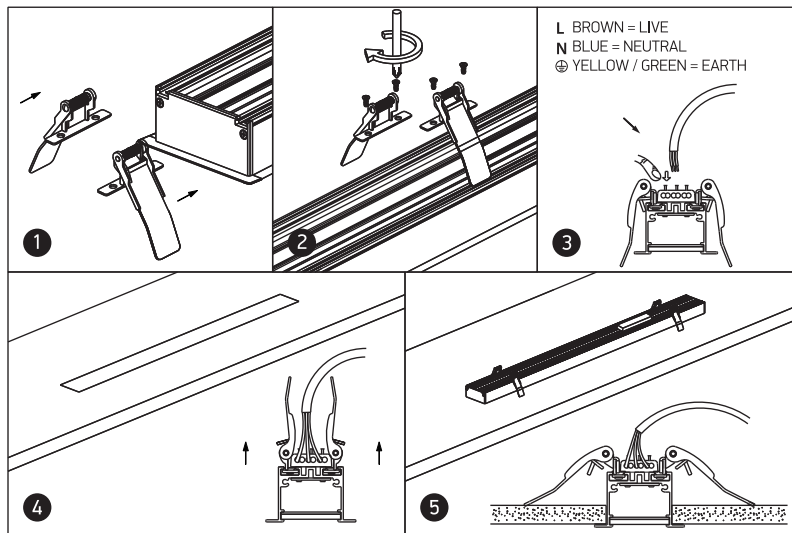
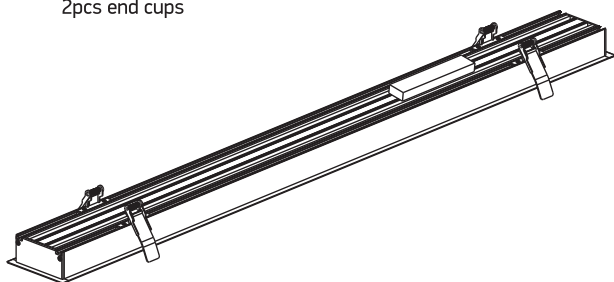
Complete with 1000mA driver  
Can be connected in line.



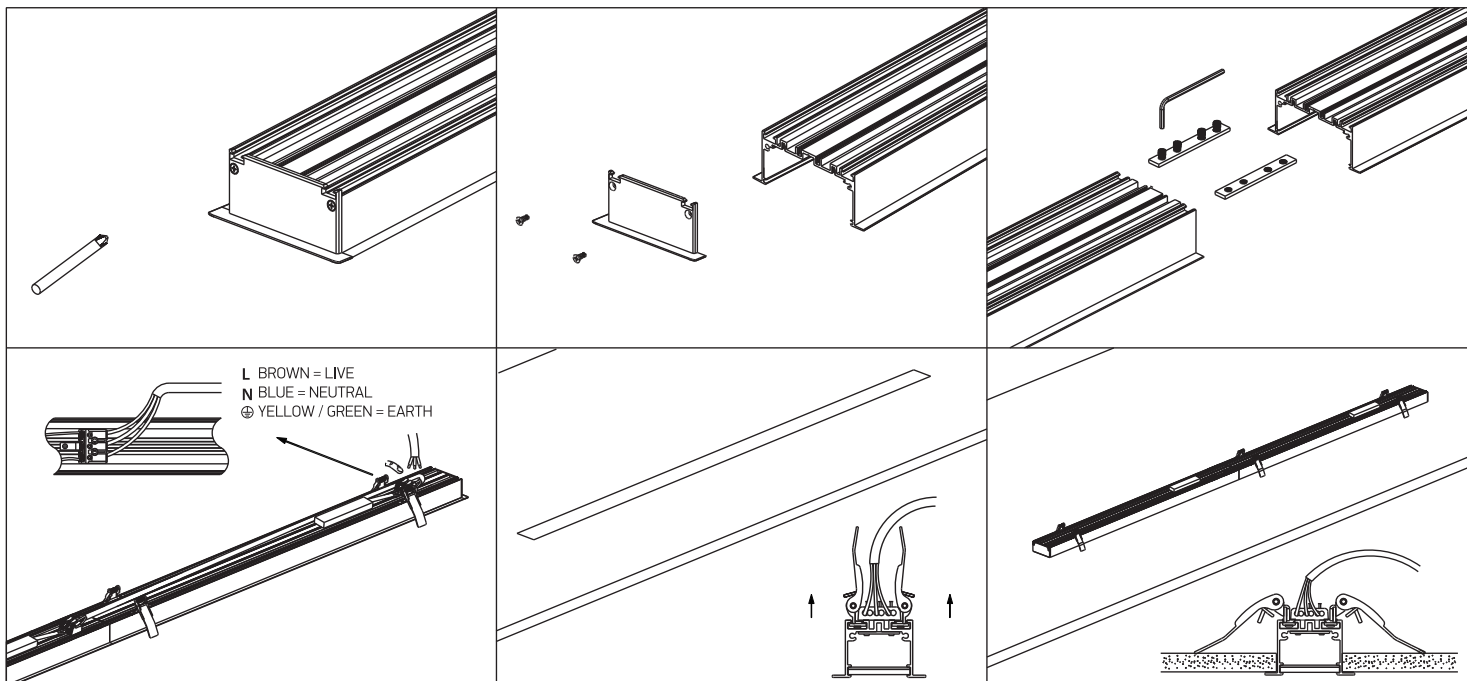
**one**  
LIGHT

## A INSTALLATION

Complete with:  
6pcs fixing clips  
4pcs connectors  
2pcs end cups



## B CONNECTION



### Warnings:

1. Make sure that the product is installed properly before connecting to electricity.
2. Do not cover the fitting.
3. Maintenance and installation should only be carried out by a professional electrician.