

# INSTALLATION MANUAL

38150C

**ecolight**

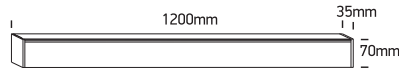
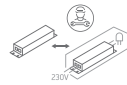


UGR19

90  
CRI

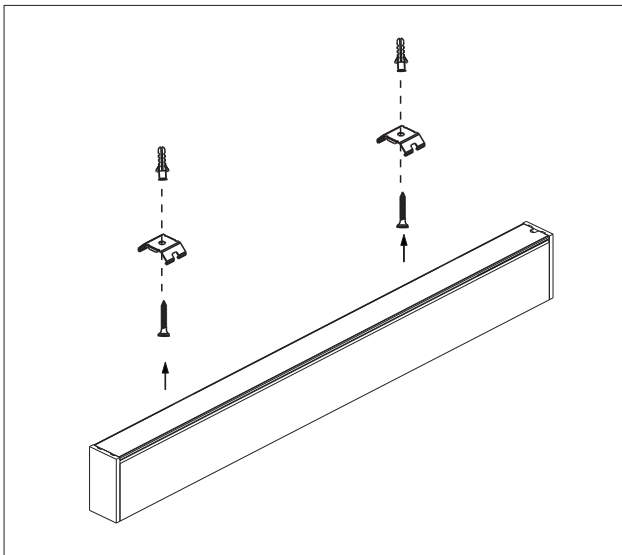


40W | 24LEDs + Diffuser | 230V | IP20 | Aluminium  
Complete with 1000mA driver.

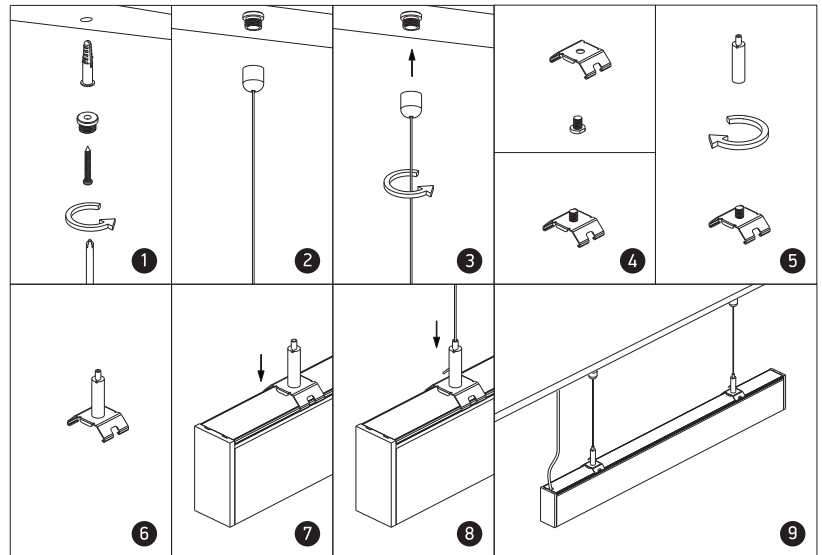


**one**  
LIGHT

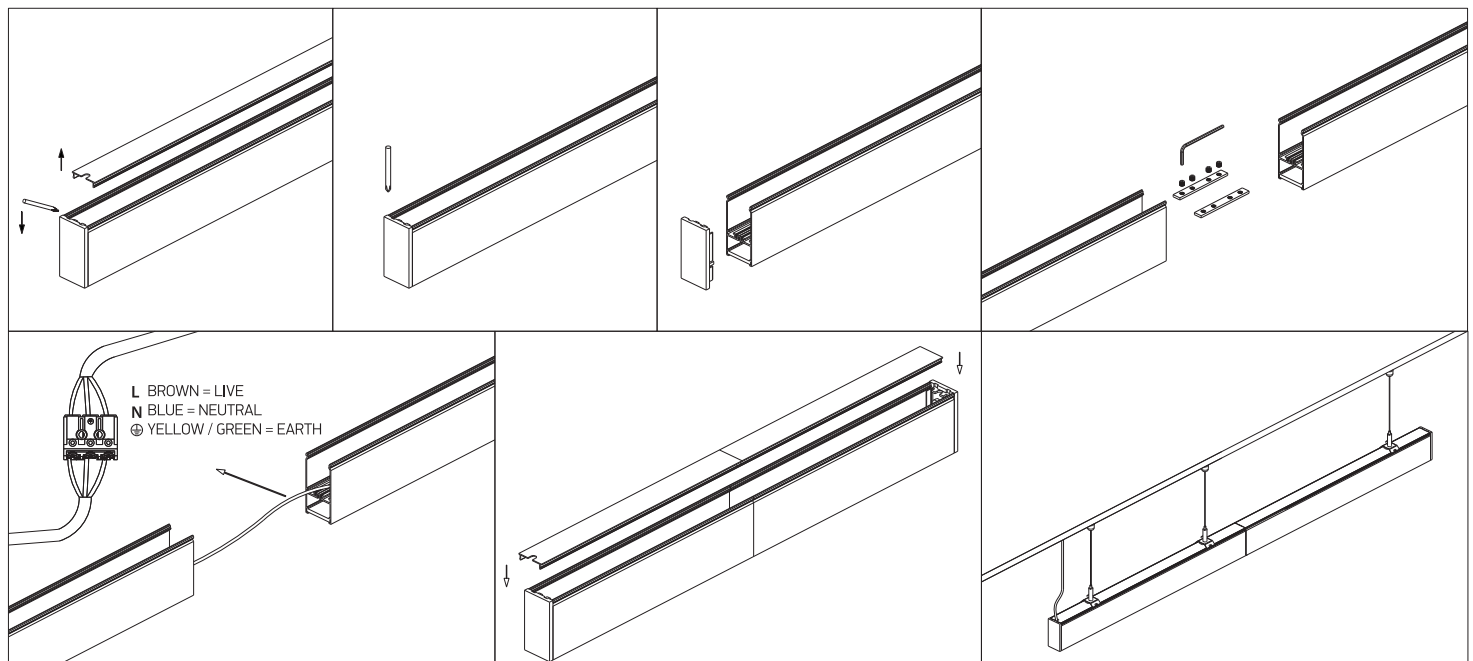
## A SURFACE INSTALLATION



## B SUSPENDED INSTALLATION



## C CONNECTION



### Warnings:

1. Make sure that the product is installed properly before connecting to electricity.
2. Do not cover the fitting.
3. Maintenance and installation should only be carried out by a professional electrician.