

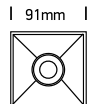
INSTALLATION MANUAL

51111C

ecolight



DARK LIGHT



91mm

91mm

90mm



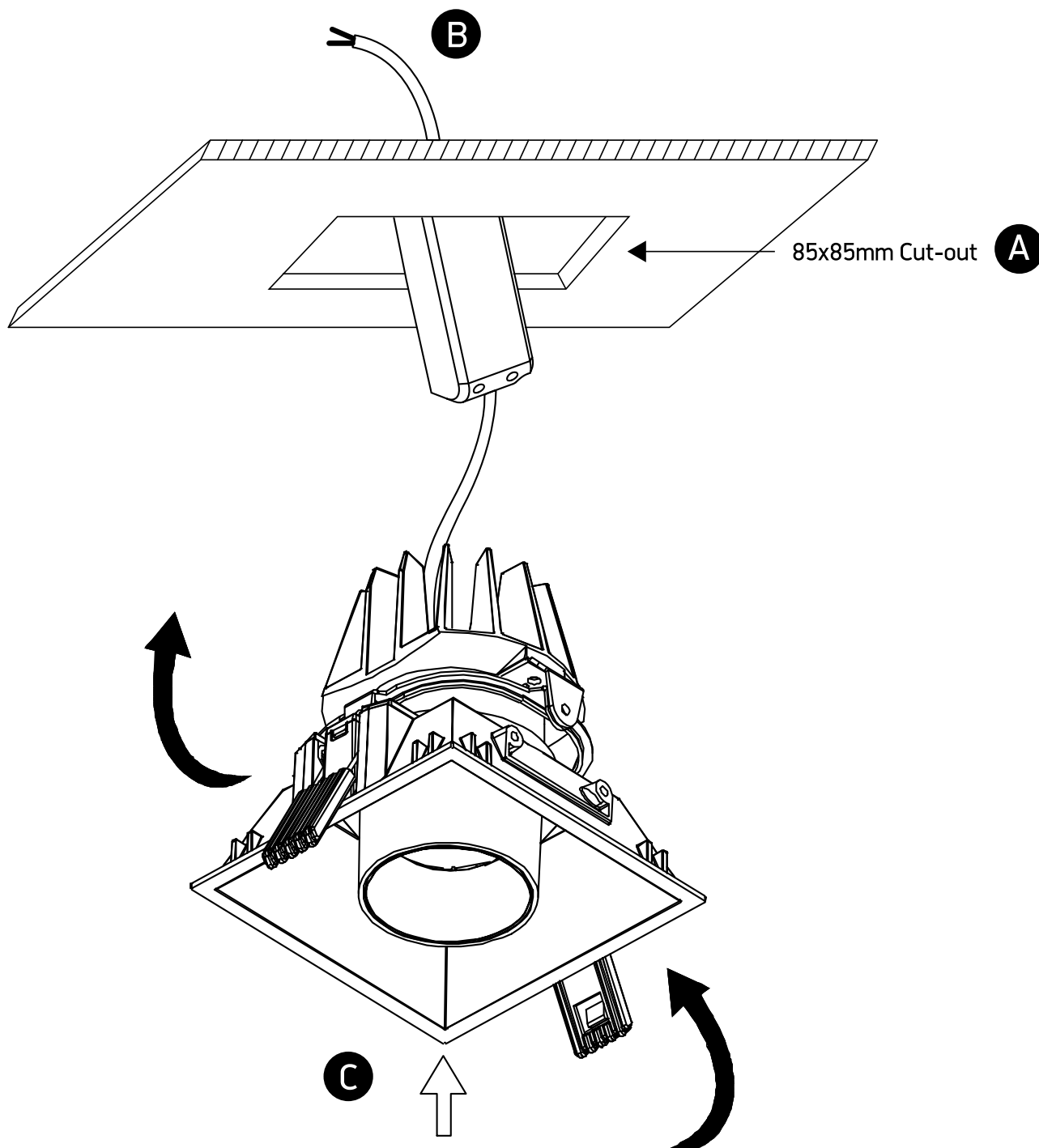
230V | 11W | IP20 | Die cast | Adjustable

Complete with 250mA driver.
Complete with Black & Brass reflectors.

90 CRI



one
LIGHT



Warnings:

1. Make sure that the product is installed properly before connecting to electricity.
2. Do not cover the fitting.
3. Maintenance and installation should only be carried out by a professional electrician.