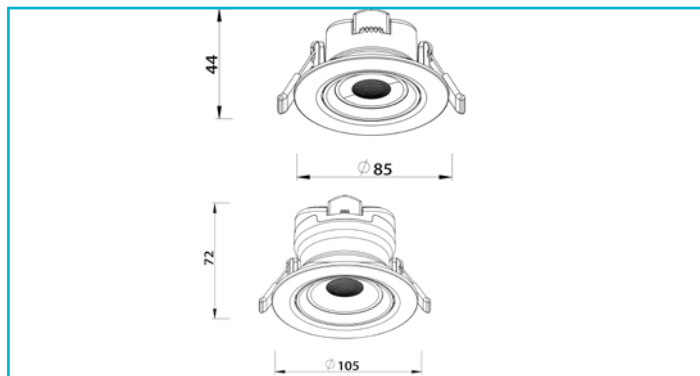
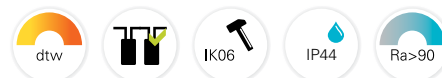


**Recessed Spotlight**  
**Surtur Tilt 83, 9 W, DTW, 1800-2700 K, white**



**Special features**

- Integrated power supply unit
- Feed-through wiring possible
- Adjustable light colour - dim to warm
- Very high colour rendering

<b>Housing Material</b>	Polycarbonate, PA - Polyamide
<b>Housing Color</b>	White
<b>Through Wiring possible</b>	Yes
<b>Mounting Type</b>	Installation mounting
<b>Mounting Location</b>	Inside
<b>Mounting Area</b>	Ceiling installation
<b>Functions</b>	Dim to warm
<b>Protection Class</b>	Protection class II/ protective insulation
<b>Rated Input</b>	9 W
<b>Rated Power Consumption Standby</b>	0.2 W
<b>Rated Input Voltage Frequency</b>	220-240 V/AC 50 / 60 Hz
<b>Power Supply Unit incl.</b>	Yes
<b>Dimmable</b>	Yes
<b>Control</b>	Trailing-edge dimmer, Leading-edge dimmer
<b>Motion Detector</b>	No
<b>Light Source</b>	LED, Light source not changeable
<b>Colour Temperature</b>	1800-2700 K
<b>Colour Consistency</b>	6 SDCM
<b>Colour consistency light source</b>	6 SDCM
<b>CRI (Ra)</b>	90
<b>Rated Luminous Flux</b>	360/720 lm
<b>Rated Angle of Reflection</b>	40 Degree
<b>UGR</b>	26
<b>Distribution Characteristic 120°</b>	DLS
<b>Swivel Angle</b>	30 Degree
<b>Light Exit Surfaces</b>	1
<b>Light characteristics</b>	Direct
<b>Light direction</b>	Below

<b>Height</b>	72 mm
<b>Diameter</b>	105 mm
<b>Installation Depth</b>	70 mm
<b>Required Installation Depth</b>	145 mm
<b>Cut Out Diameter</b>	83-95 mm
<b>Product weight</b>	193 g
<b>Working Temperature</b>	-10 to 55 °C
<b>Storage Temperature</b>	-20 to 60 °C
<b>Surface Temperature max.</b>	59 °C
<b>IP Protection Class</b>	IP 20, IP 44
<b>IK Protection Class</b>	IK06
<b>Inrush Current max.</b>	7 A / 132 µs
<b>Max. units per MCB B10</b>	68 PCS
<b>Max. units per MCB B16</b>	86 PCS
<b>Max. units per MCB C10</b>	68 PCS
<b>Max. units per MCB C16</b>	109 PCS

<b>Life Time L70 / B50</b>	75000 h
<b>Life Time L80 / B10</b>	50000 h
<b>Life Time L80 / B50</b>	60000 h
<b>Switching Cycles</b>	100000 PCS
<b>Power Consumption</b>	9 kWh/1000h
<b>Energy Efficiency Class Lightsource</b>	This product contains a light source of energy efficiency class E.

