

# INSTALLATION MANUAL

62156D

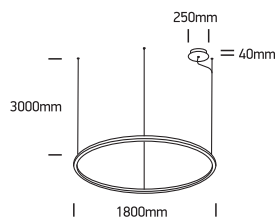
LED  
BUILT IN



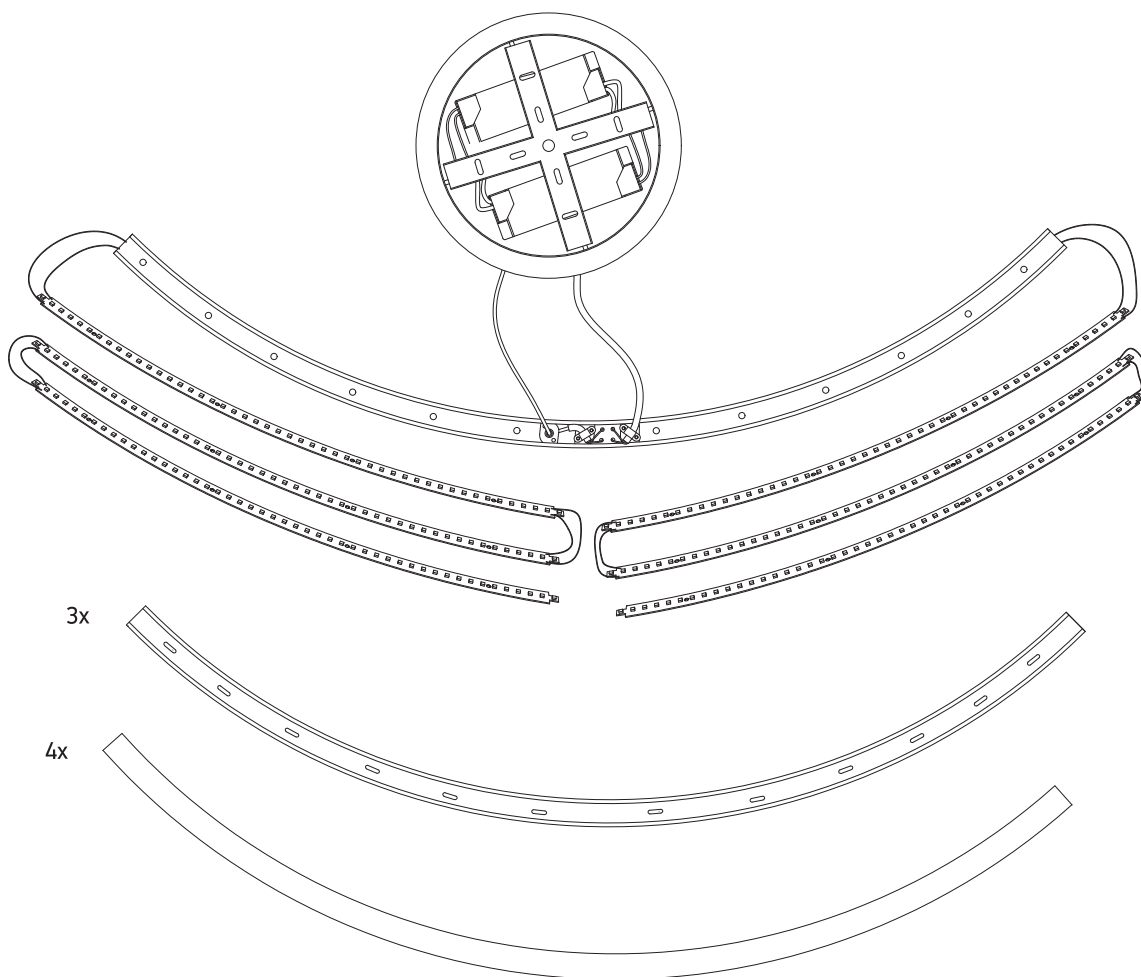
80  
CRI



230V | SMD 2835 | 100W | IP20 | Aluminium  
Complete with 1200mA driver.



one  
LIGHT



3x

4x



3x



4x



46x



8x



22x



8x

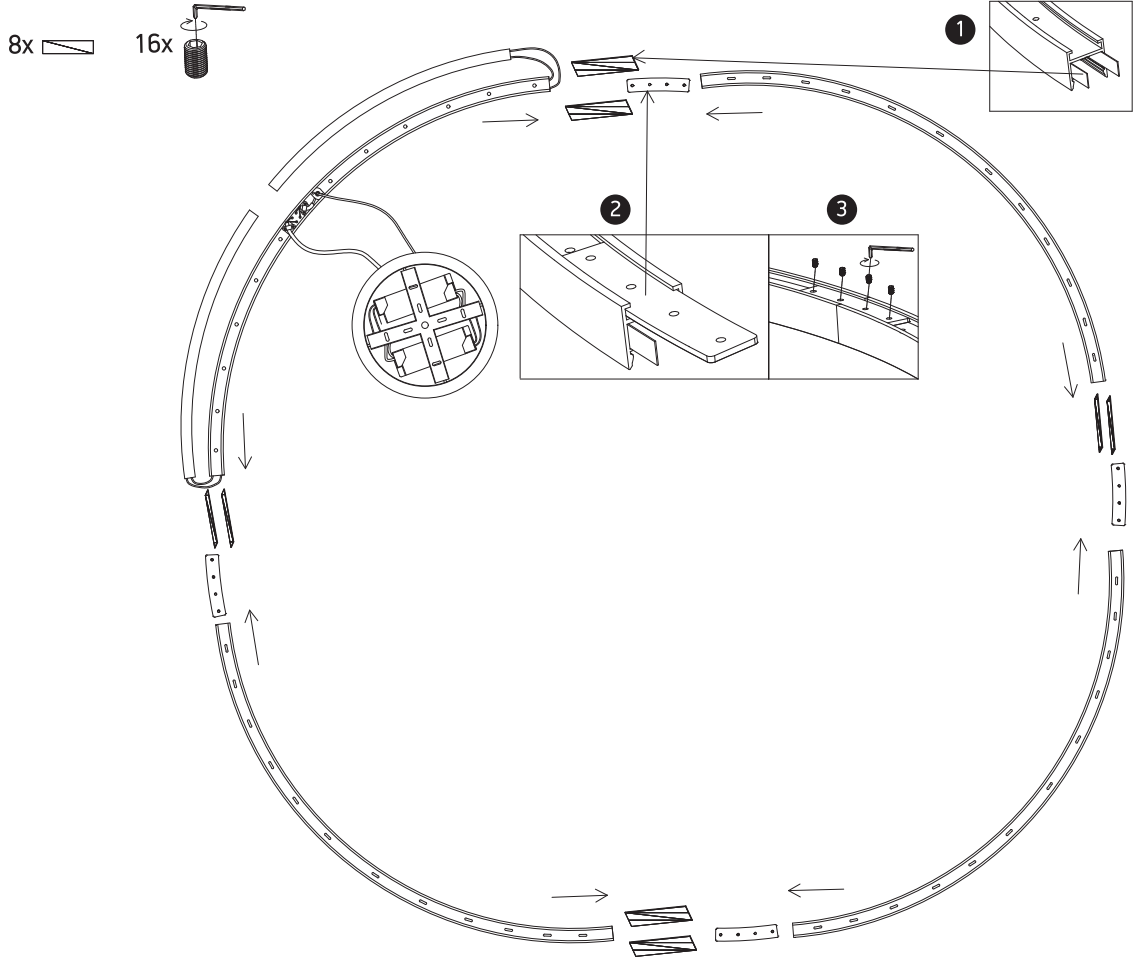


8x

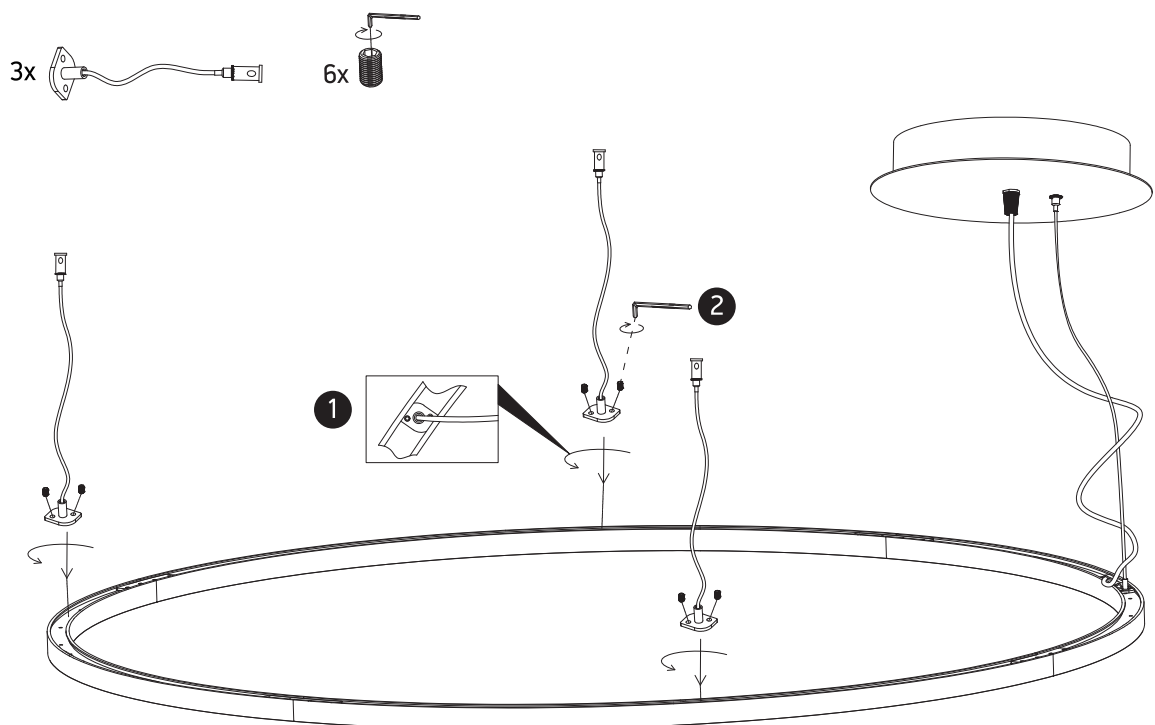
## Warnings:

1. Fix the base on the ceiling.
2. Make sure that the product is installed properly before connecting to electricity.
3. Connect the AC power cable to the driver's cable as shown in the above diagram.
4. Do not cover the fitting.
5. Maintenance and installation should only be carried out by a professional electrician.

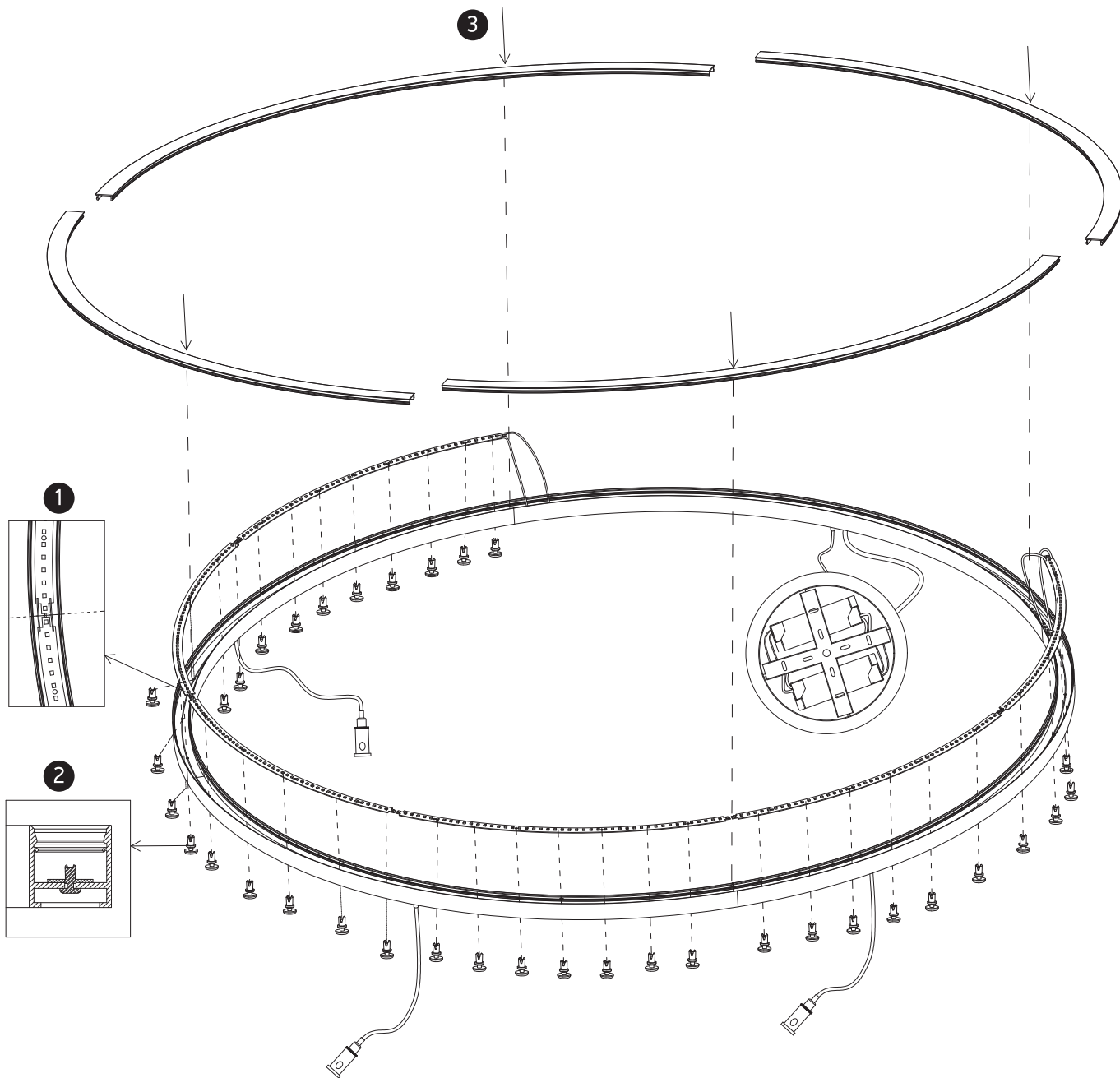
**A**



**B**

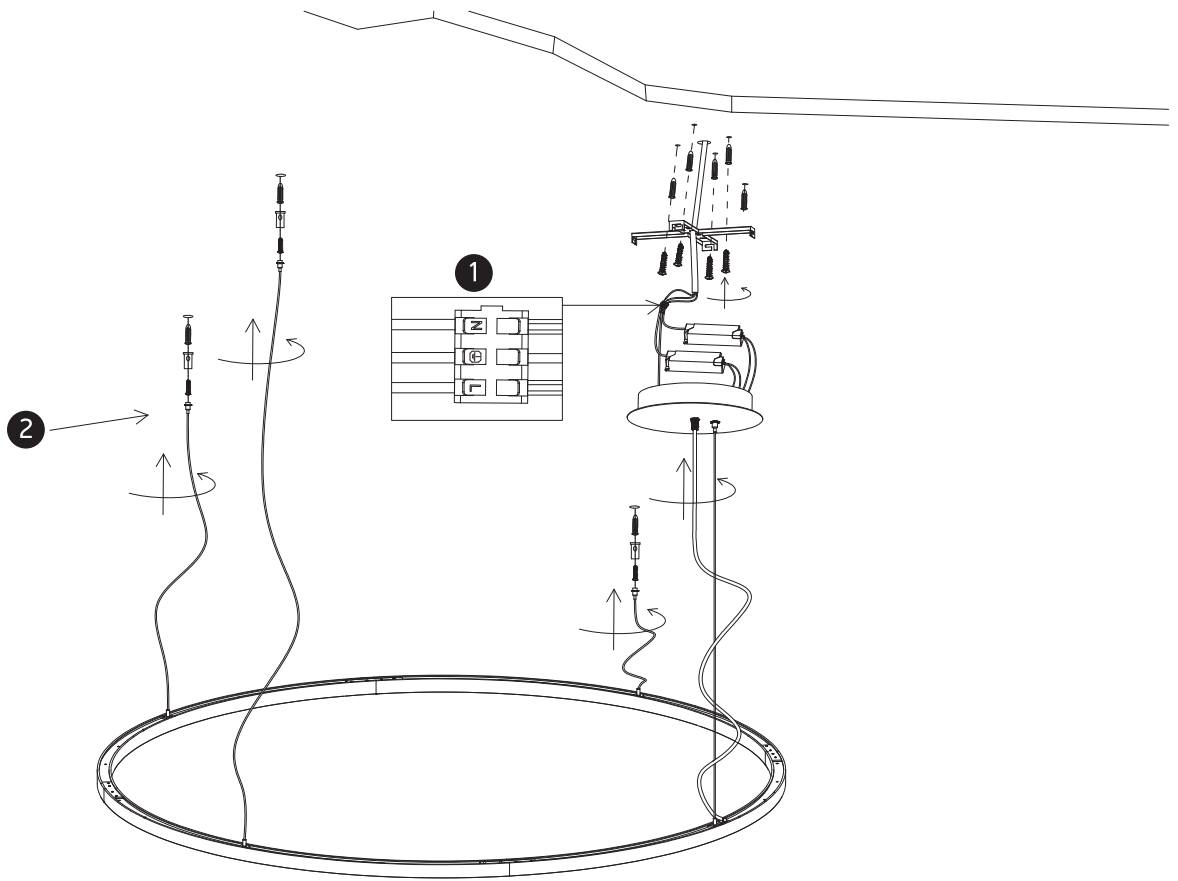


**C** 46x  4x 



D

8x  8x 



E

