

INSTALLATION MANUAL

67342

ecolight

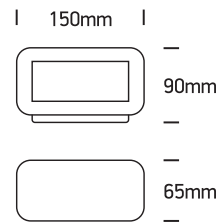


Ra>80



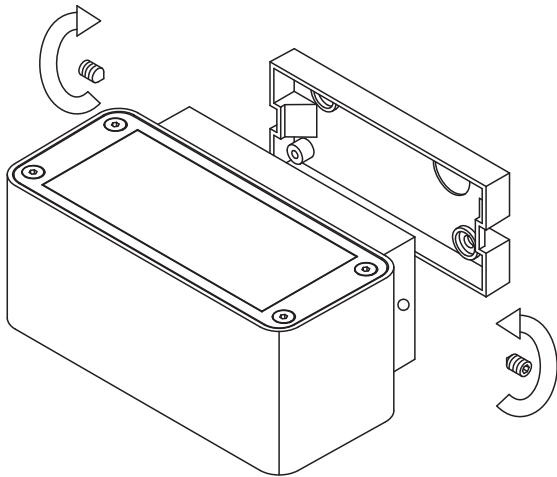
230V | 4x3W | 50/60Hz | IP54 | Die cast

Complete with driver

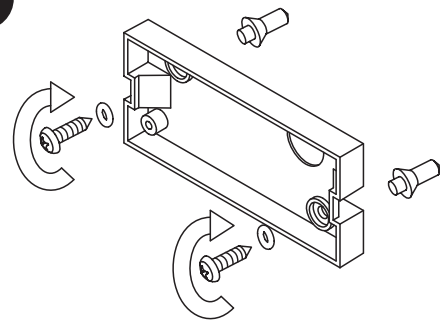


one
LIGHT

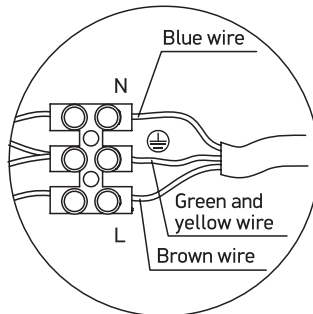
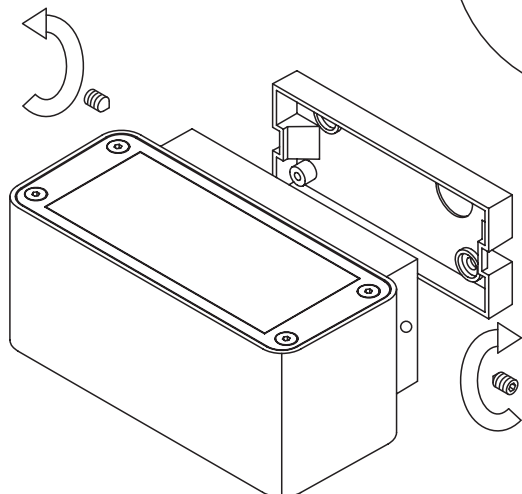
A



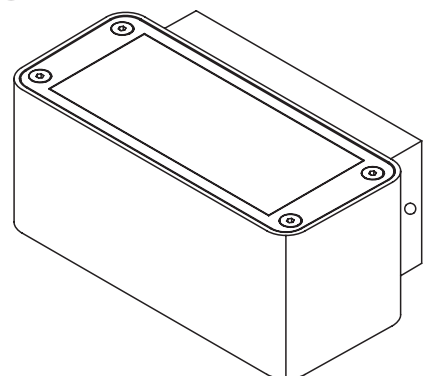
B



C



D



Warnings:

1. Make sure that the product is installed properly before connecting to electricity.
2. Do not cover the fitting.
3. Maintenance and installation should only be carried out by a professional electrician.