

INSTALLATION MANUAL

67362A, 67363A

ecolight

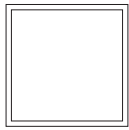


Ra>80

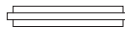


Complete with driver

67362A: 230V | 20W | IP54 | Die cast

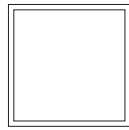


238x
238mm

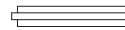


46mm

67363A: 100-240V | 30W | IP54 | Die cast

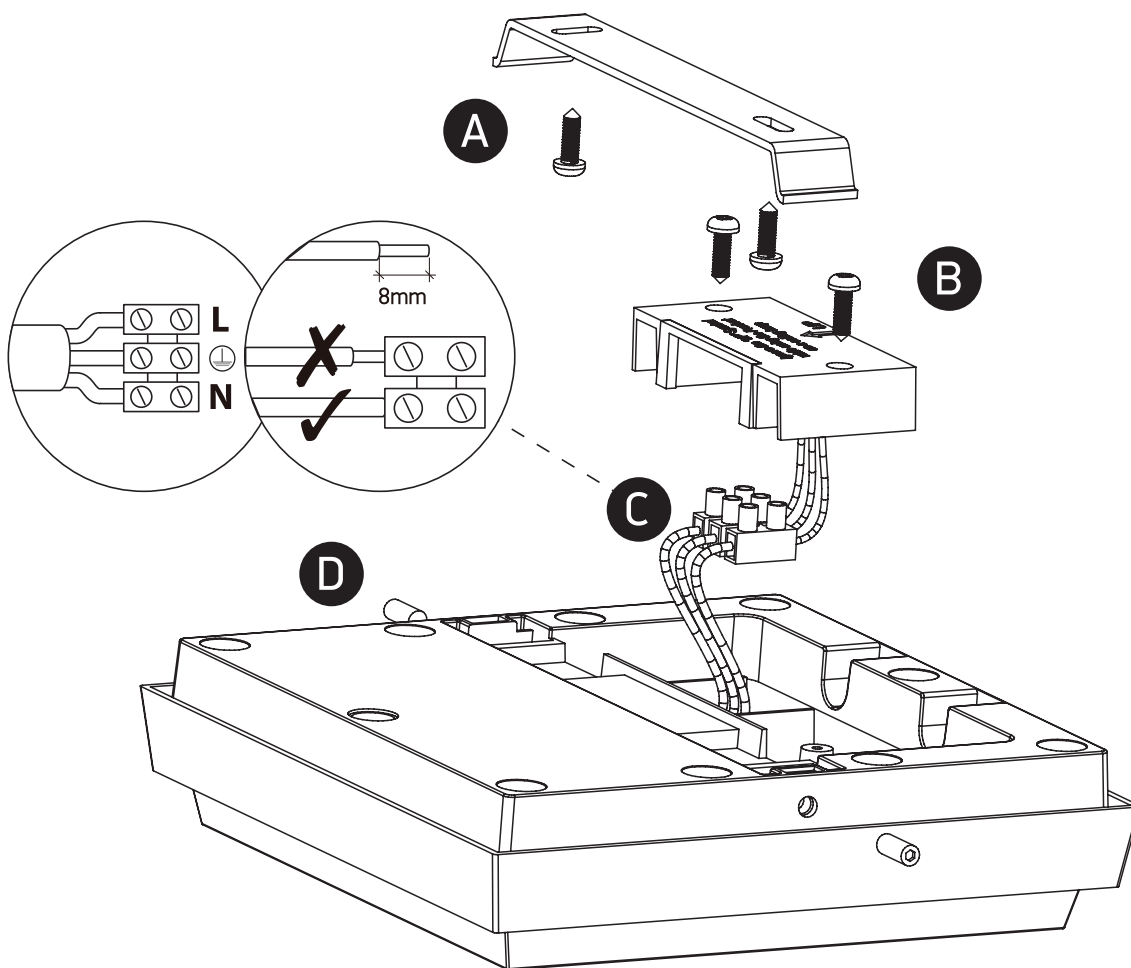


300x
300mm



49mm

one
LIGHT



Warnings:

1. Make sure that the product is installed properly before connecting to electricity.
2. Do not cover the fitting.
3. Maintenance and installation should only be carried out by a professional electrician.