

INSTALLATION MANUAL

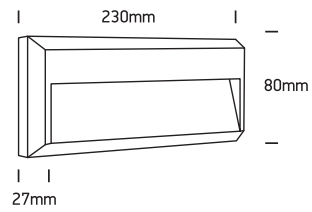
67388C

ecolight

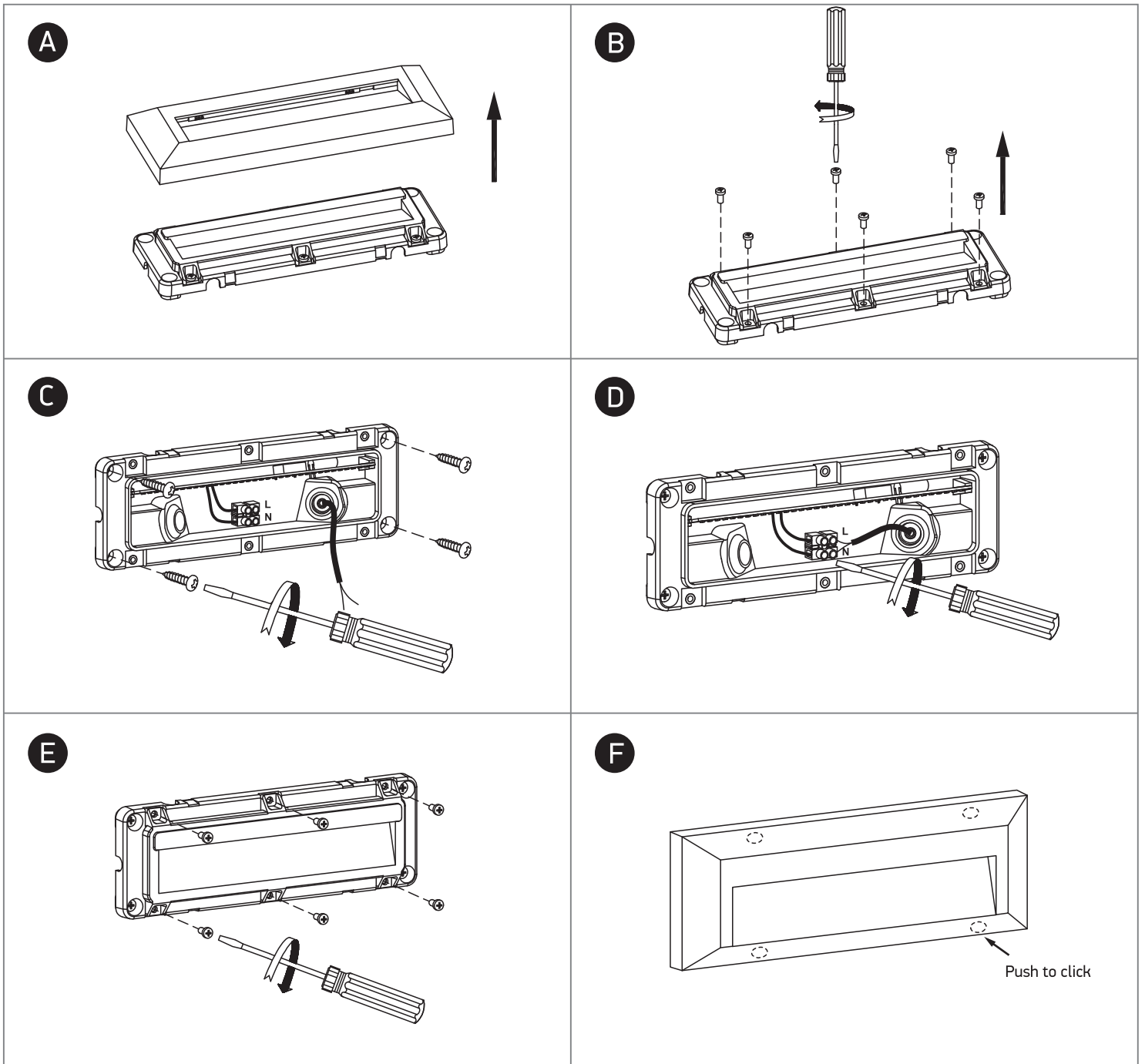


DARK
LIGHT

230V | SMD 3014 | 2W | IP65 | ABS+PC



one
LIGHT



Warnings:

1. Make sure that the product is installed properly before connecting to electricity.
2. Do not cover the fitting.
3. Maintenance and installation should only be carried out by a professional electrician.