

# INSTALLATION MANUAL

67402

**ecolight**



CE

RoHS  
COMPLIANT

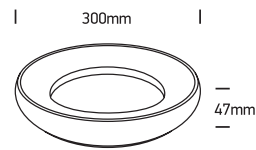


NOT  
DIMMABLE

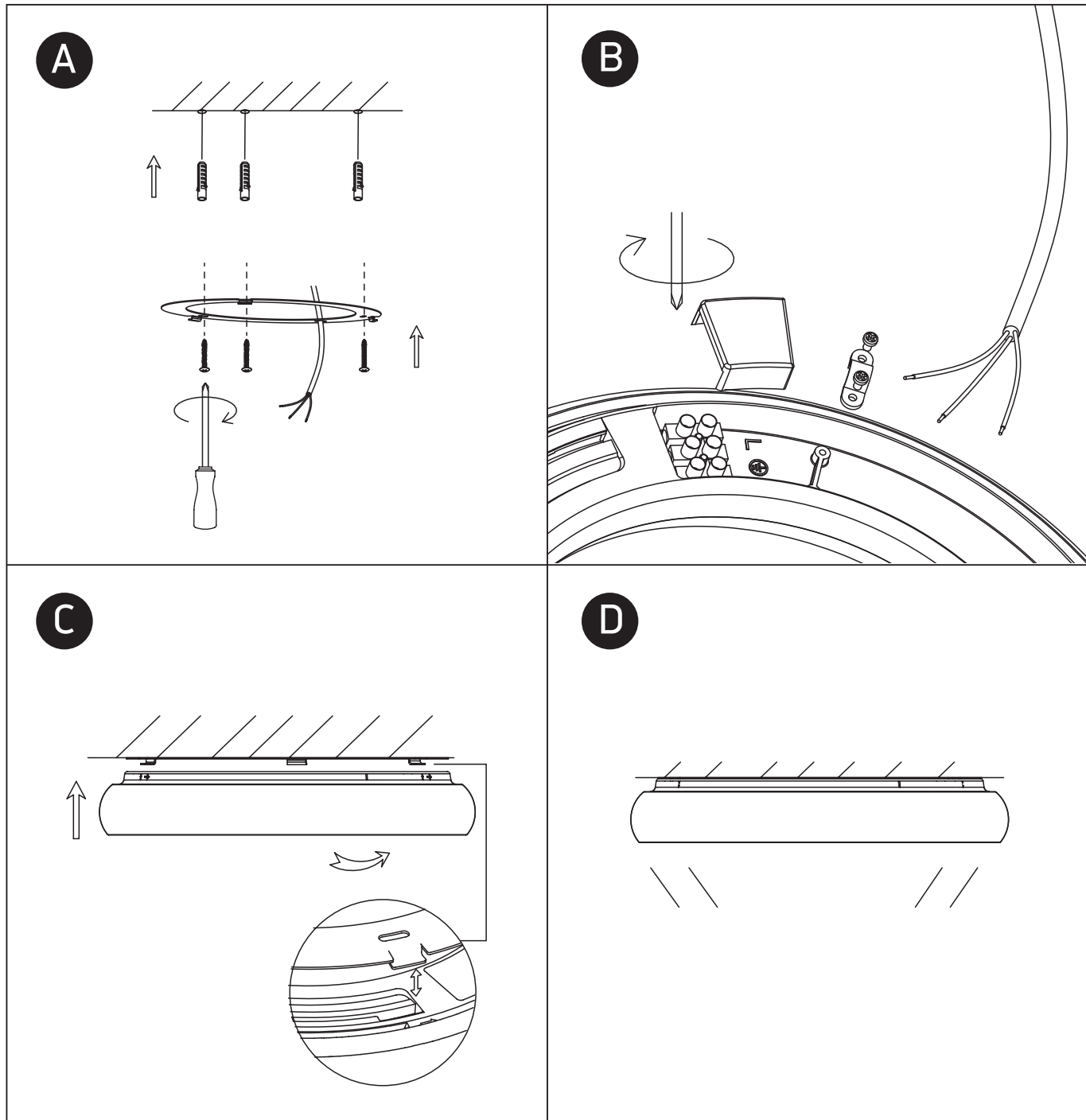
100-240V | SMD 2835 | 25W | IP40 | Aluminium + PC

Complete with driver

80  
CRI



**one**  
LIGHT



## Warnings:

1. Make sure that the product is installed properly before connecting to electricity.
2. Do not cover the fitting.
3. Maintenance and installation should only be carried out by a professional electrician.