

# INSTALLATION MANUAL

67422

**ecolight**



CE

RoHS  
COMPLIANT

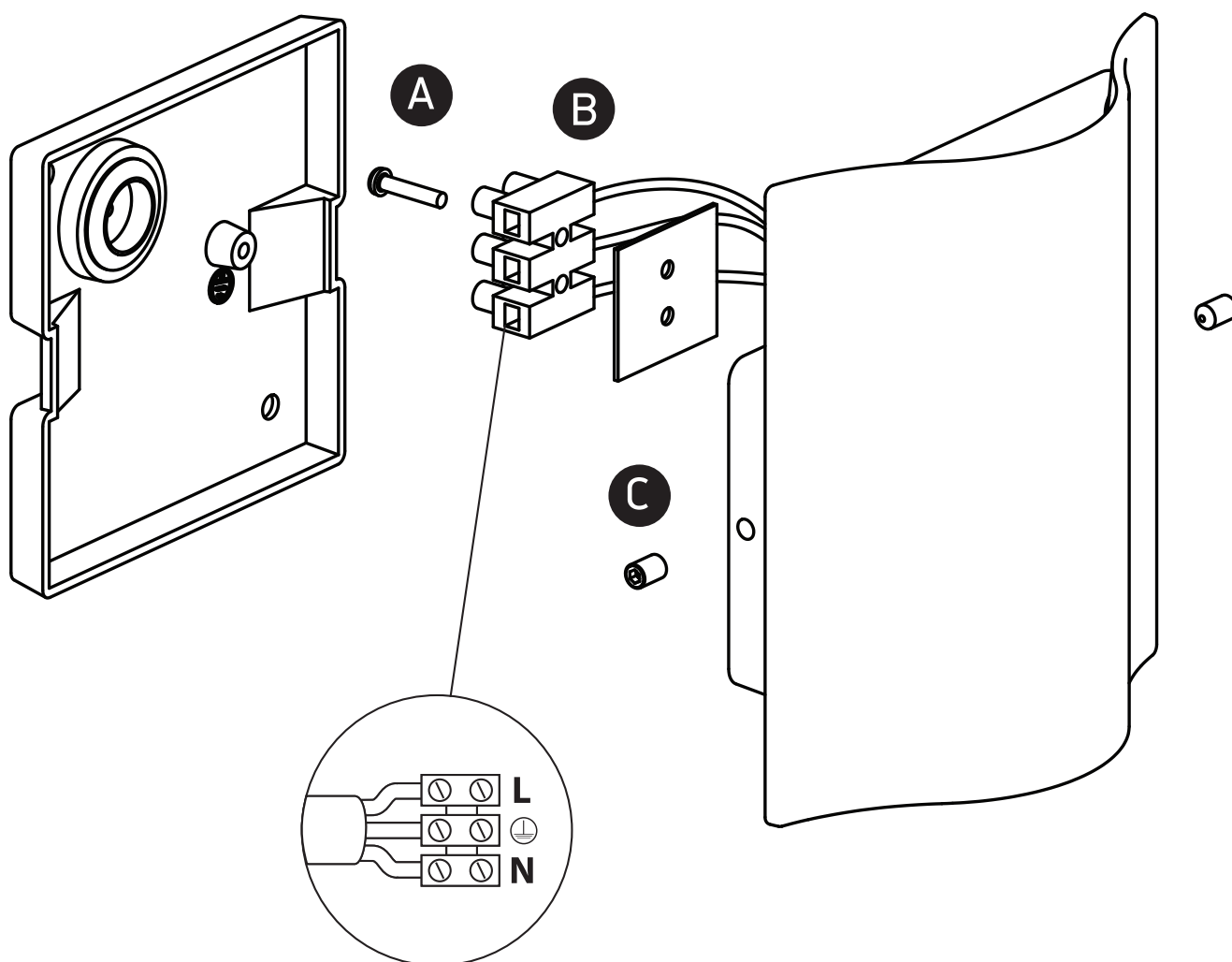
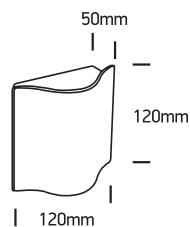


NOT  
DIMMABLE

230V | 6W | IP54 | Die cast

Complete with driver.

80  
CRI



## Warnings:

1. Make sure that the product is installed properly before connecting to electricity.
2. Do not cover the fitting.
3. Maintenance and installation should only be carried out by a professional electrician.