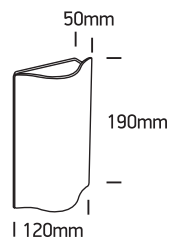


# INSTALLATION MANUAL

67422A

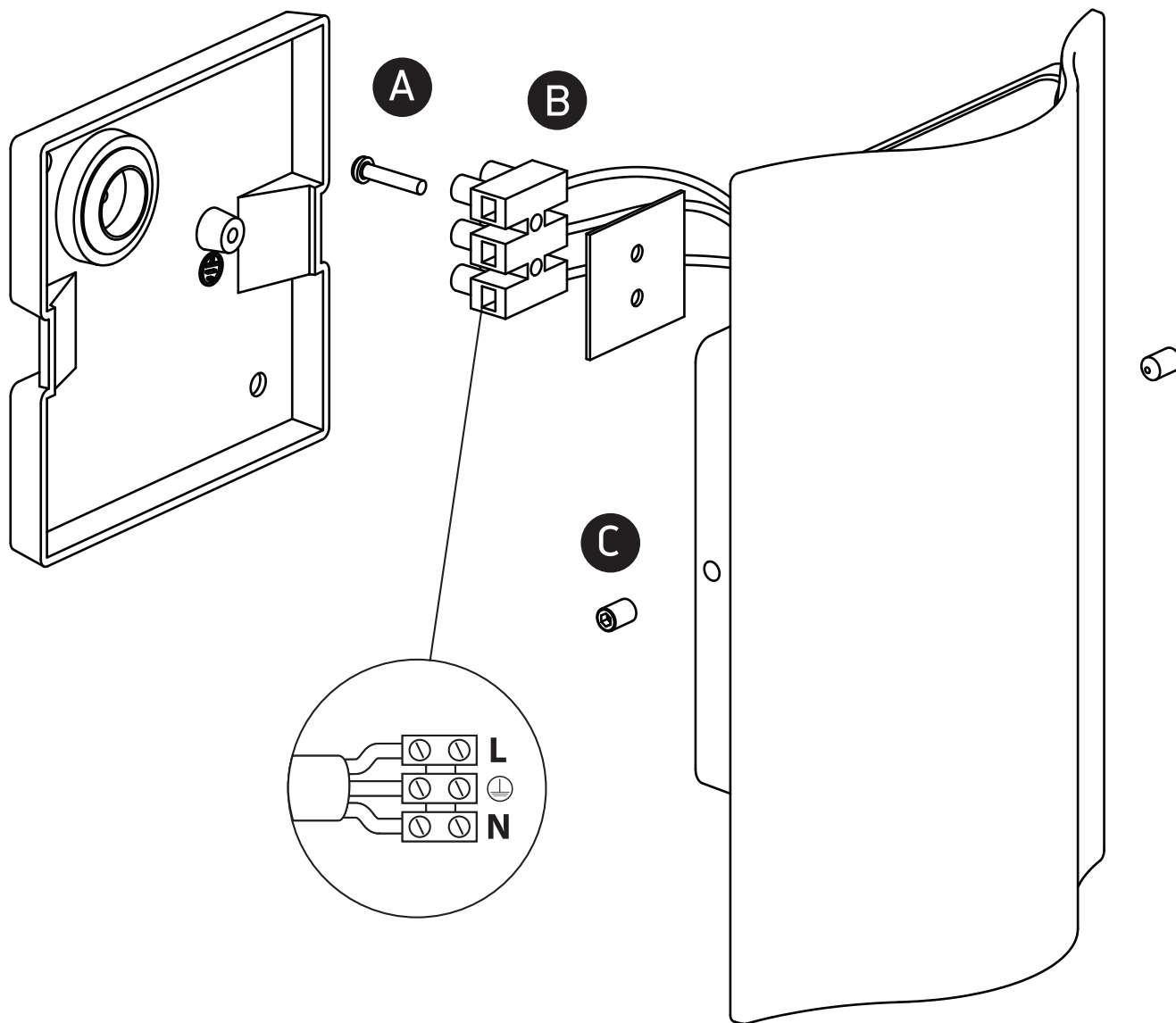
**ecolight**



230V | 2x6W | IP54 | Die cast

Complete with driver.

80  
CRI



## Warnings:

1. Make sure that the product is installed properly before connecting to electricity.
2. Do not cover the fitting.
3. Maintenance and installation should only be carried out by a professional electrician.