

INSTALLATION MANUAL

67438, 67438A

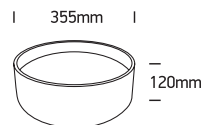
ecolight



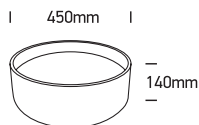
80
CRI

Complete with driver.

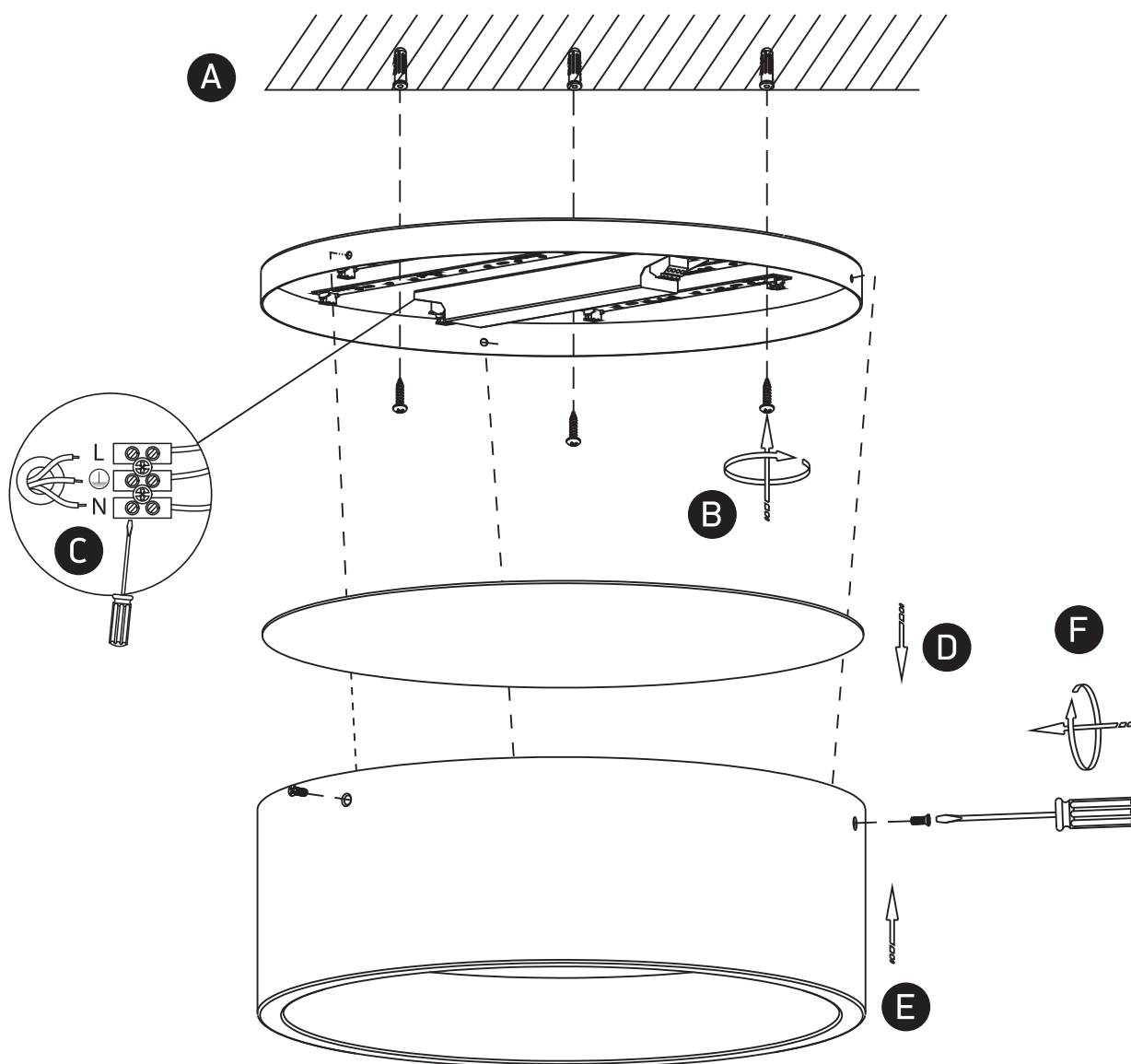
67438: 230V | SMD 2835 | 40W | IP20 | Aluminium



67438A: 230V | SMD 2835 | 45W | IP20 | Aluminium



one
LIGHT



Warnings:

1. Fix the base on the ceiling.
2. Make sure that the product is installed properly before connecting to electricity.
3. Connect the AC power cable to the driver's cable as shown in the above diagram.
4. Do not cover the fitting.
5. Maintenance and installation should only be carried out by a professional electrician.