

INSTALLATION MANUAL

67450A

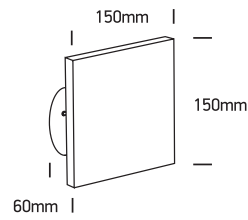
ecolight



DARK
LIGHT

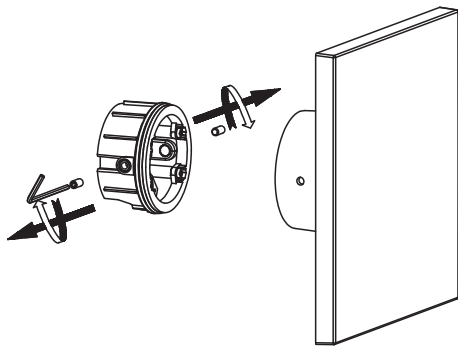


230V | SMD 2835 | 7W | IP54 | ABS + PC

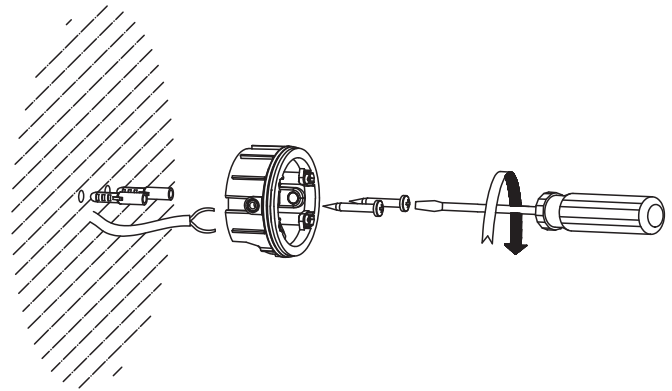


one
LIGHT

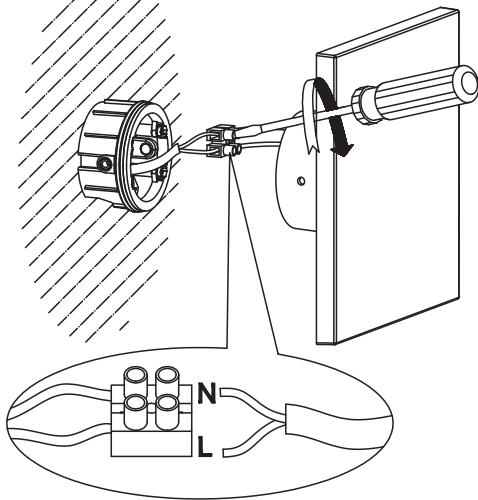
A



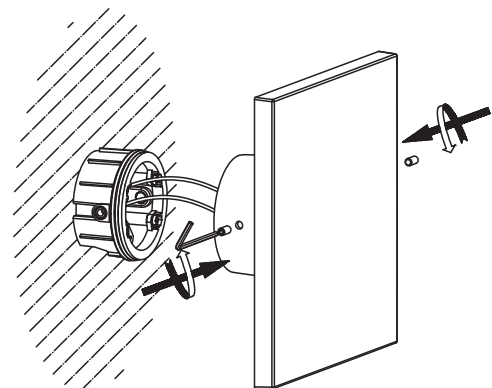
B



C



D



Warnings:

1. Make sure that the product is installed properly before connecting to electricity.
2. Do not cover the fitting.
3. Maintenance and installation should only be carried out by a professional electrician.