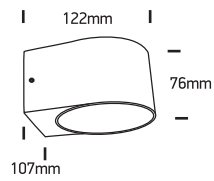


INSTALLATION MANUAL

67480A & 67480B

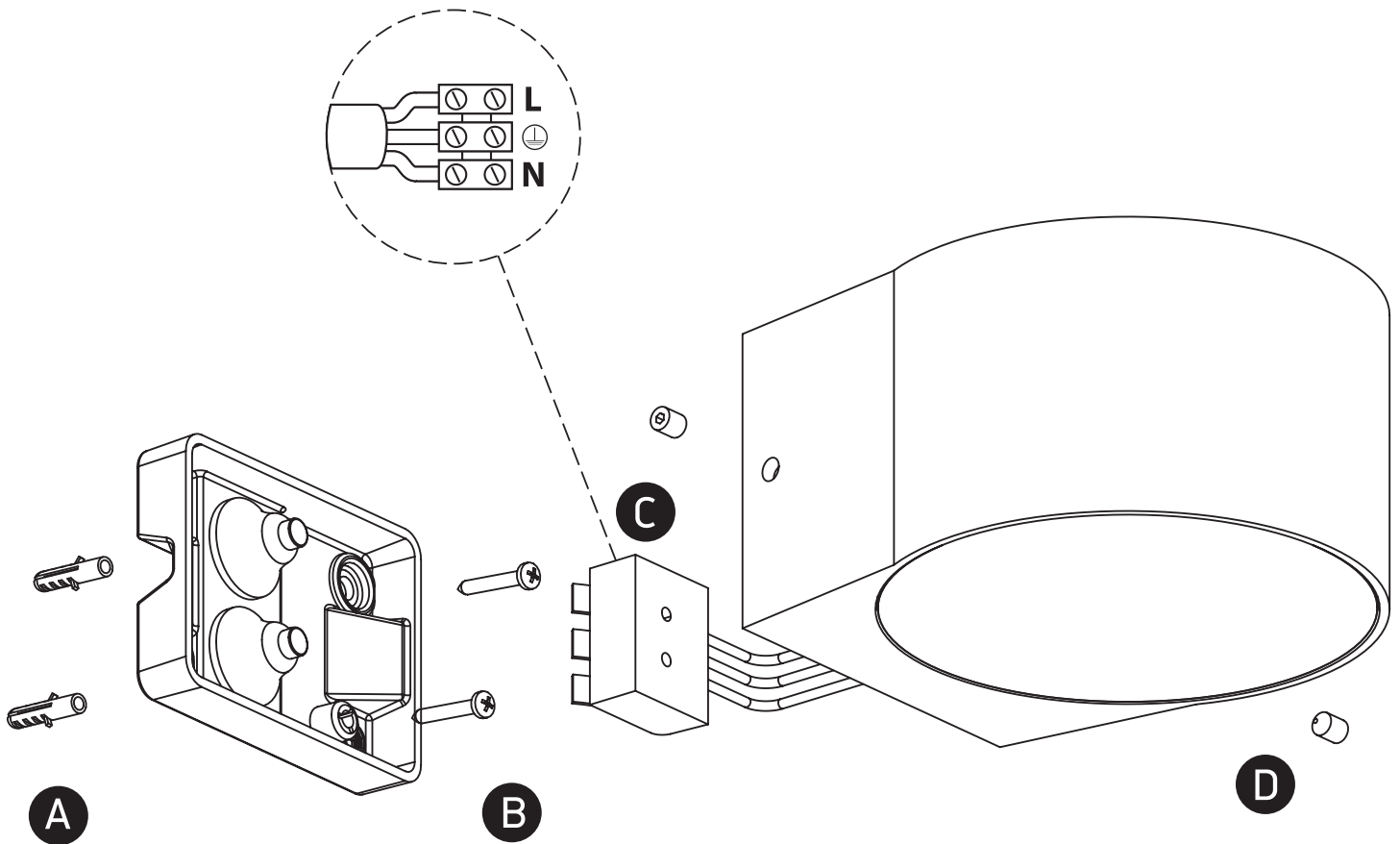
ecolight



67480A:
230V | COB LED | 6W | IP65 | Die cast
Complete with 500mA driver.

67480B:
230V | COB LED | 2x6W | IP65 | Die cast
Complete with 500mA driver.

80 CRI



Warnings:

1. Make sure that the product is installed properly before connecting to electricity.
2. Do not cover the fitting.
3. Maintenance and installation should only be carried out by a professional electrician.