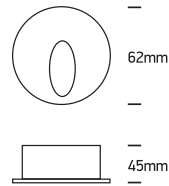


INSTALLATION MANUAL

68030

ecolight

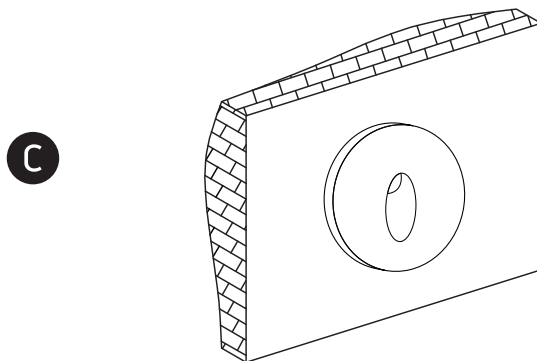
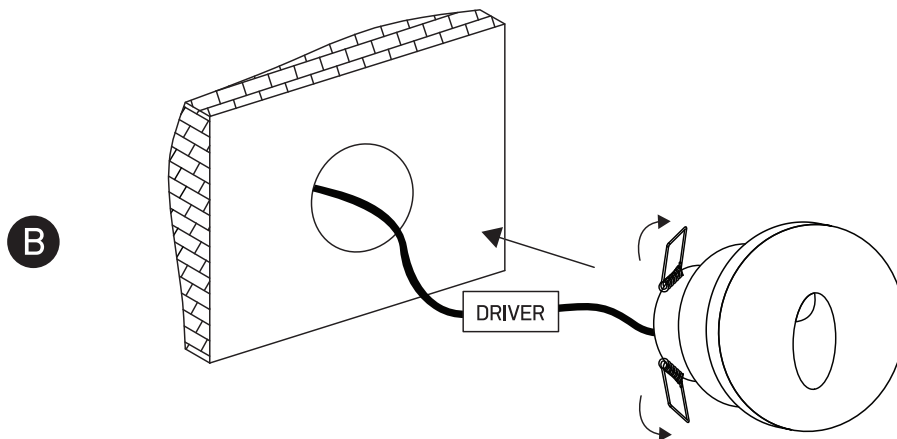
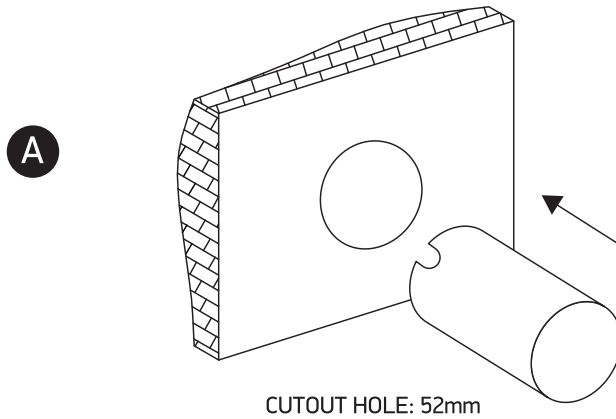


100-240V | 3W | IP54 | Recessed

Complete with driver.
Supplied with box for
concrete installation.



one
LIGHT



Warnings:

1. Make sure that the product is installed properly before connecting to electricity.
2. Do not cover the fitting.
3. Maintenance and installation should only be carried out by a professional electrician.