

INSTALLATION MANUAL

68032

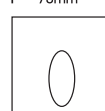
ecolight



← DARK LIGHT



70mm



70mm



45mm

100-240V | 3W | IP54 | Die cast | Recessed

Complete with driver.
Supplied with box for
concrete installation.

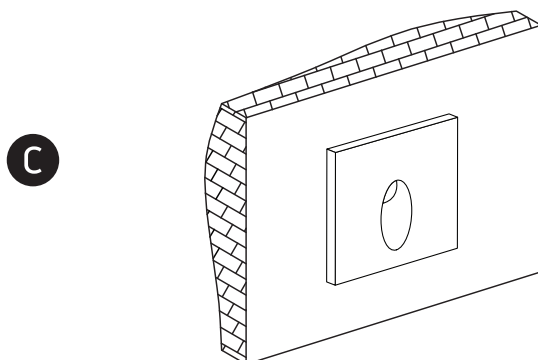
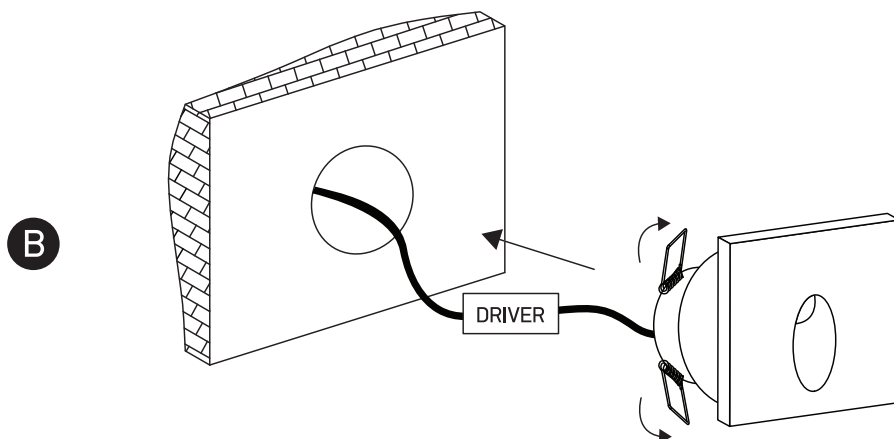
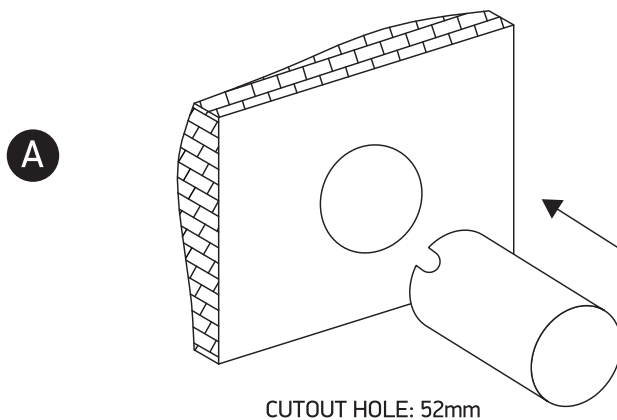


Concrete installation



Gypsum installation

one
LIGHT



Warnings:

1. Make sure that the product is installed properly before connecting to electricity.
2. Do not cover the fitting.
3. Maintenance and installation should only be carried out by a professional electrician.