

INSTALLATION MANUAL

69042A, 69042B

ecoinground



37mm



37mm

1W | 350mA | IP67 | Natural aluminium

Requires 350mA driver.

Decking Installation



Concrete Installation



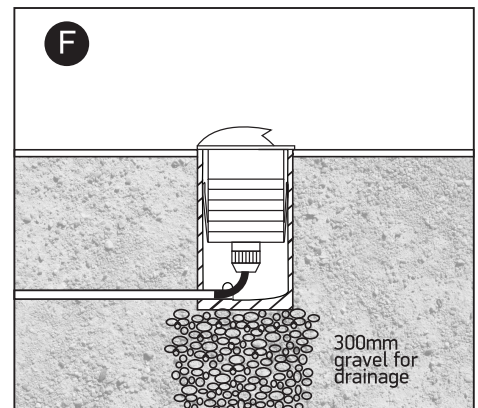
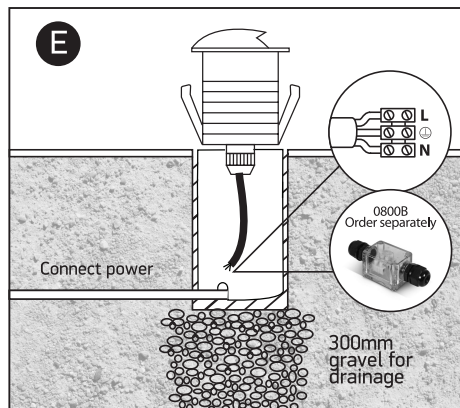
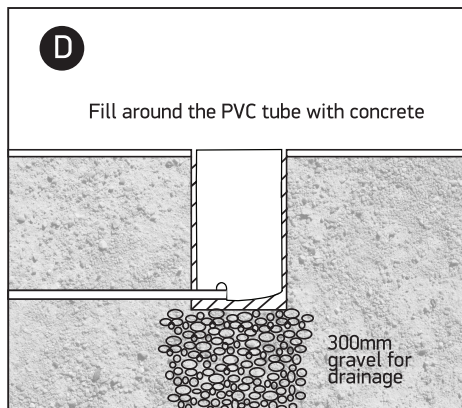
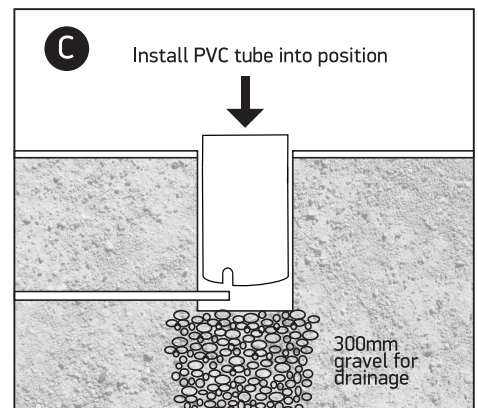
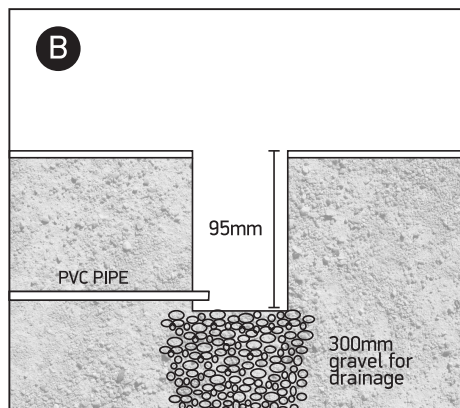
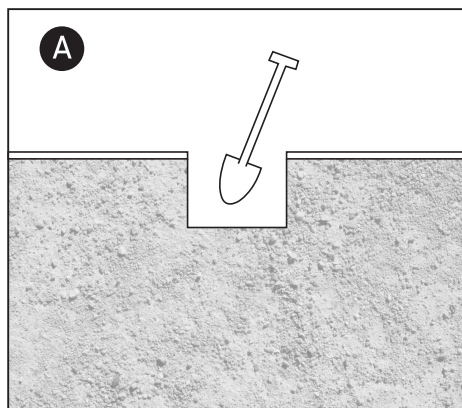
60mm



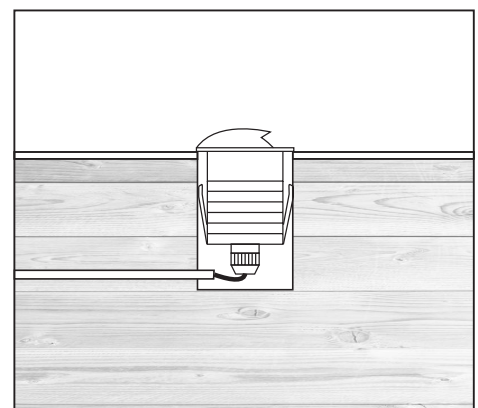
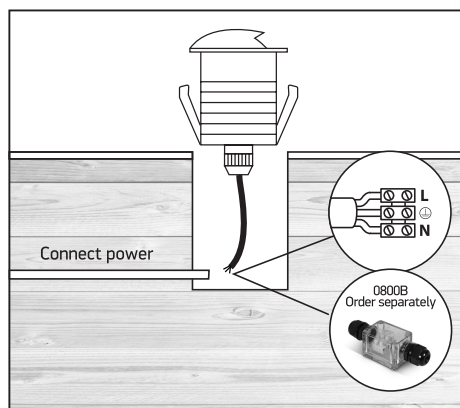
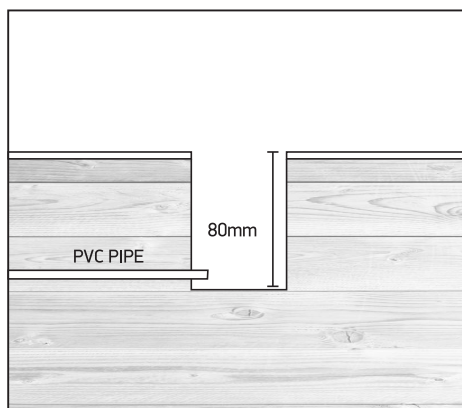
60mm

one
LIGHT

CONCRETE INSTALLATION



DECKING INSTALLATION



Warnings:

1. Make sure that the product is installed properly before connecting to electricity.
2. Do not cover the fitting.
3. Maintenance and installation should only be carried out by a professional electrician.