

# INSTALLATION MANUAL

## 7046, 7047

**ecolight**



ADJUSTABLE

80  
CRI



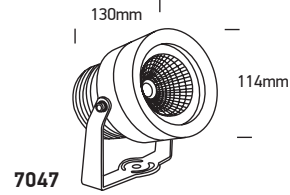
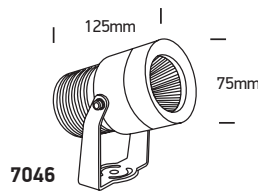
150cm

### 7046

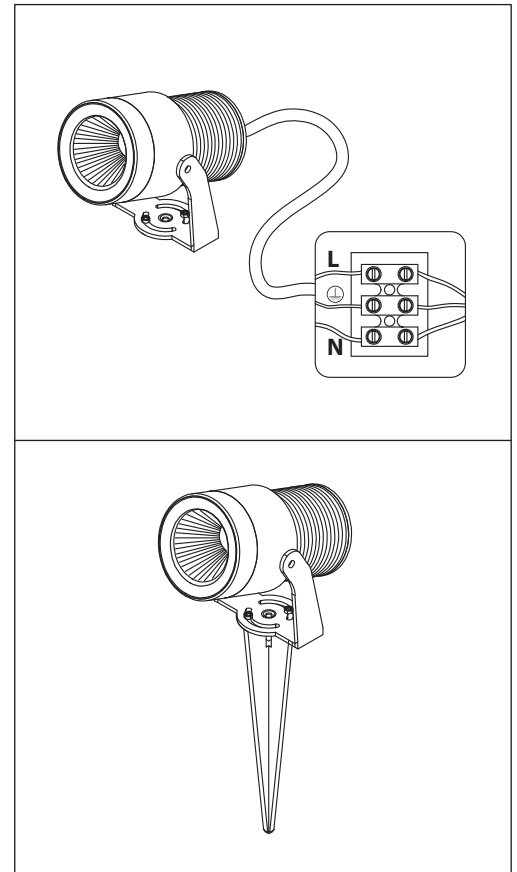
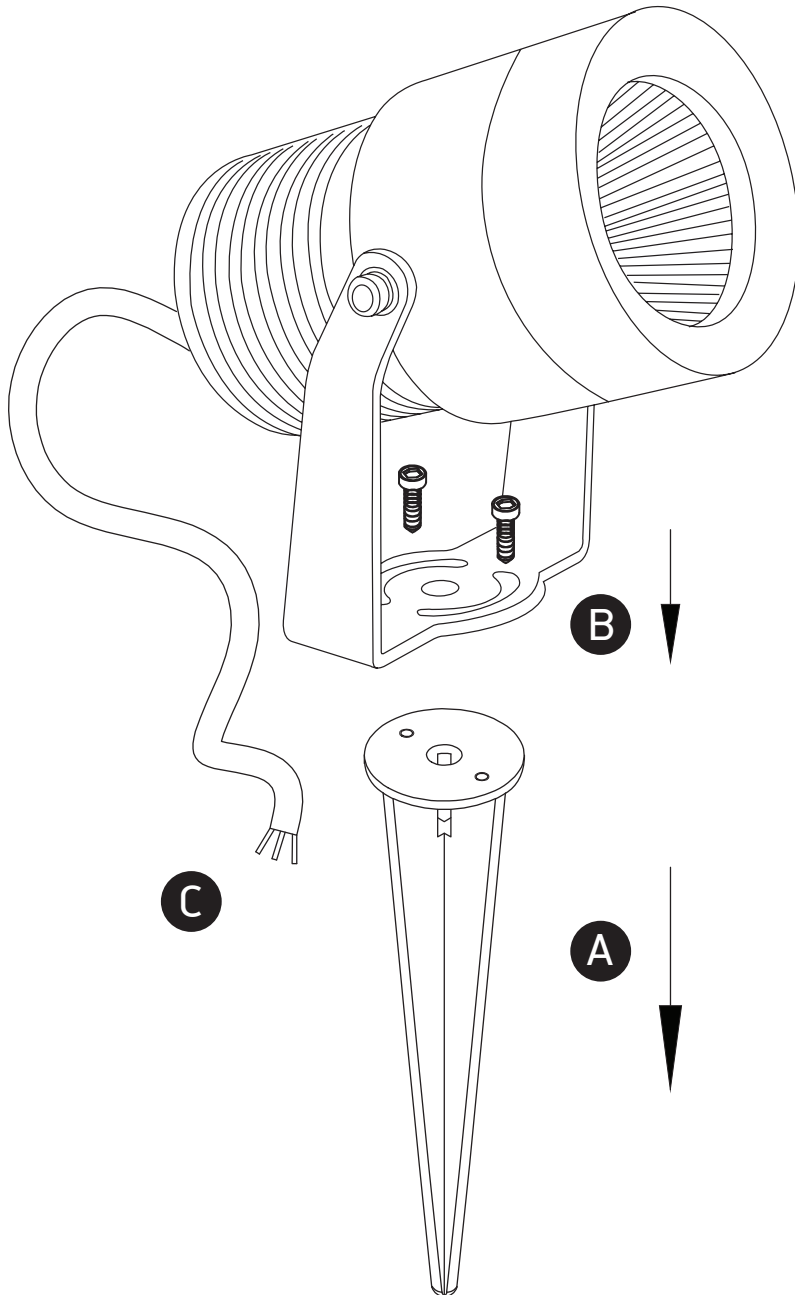
230V | 10W | IP65 | Aluminium | Adjustable  
Complete with 250mA driver. Supplied with spike.

### 7047

230V | 20W | IP65 | Aluminium | Adjustable  
Complete with 500mA driver. Supplied with spike.



**one**  
LIGHT



### Warnings:

1. Make sure that the product is installed properly before connecting to electricity.
2. Do not cover the fitting.
3. Maintenance and installation should only be carried out by a professional electrician.