



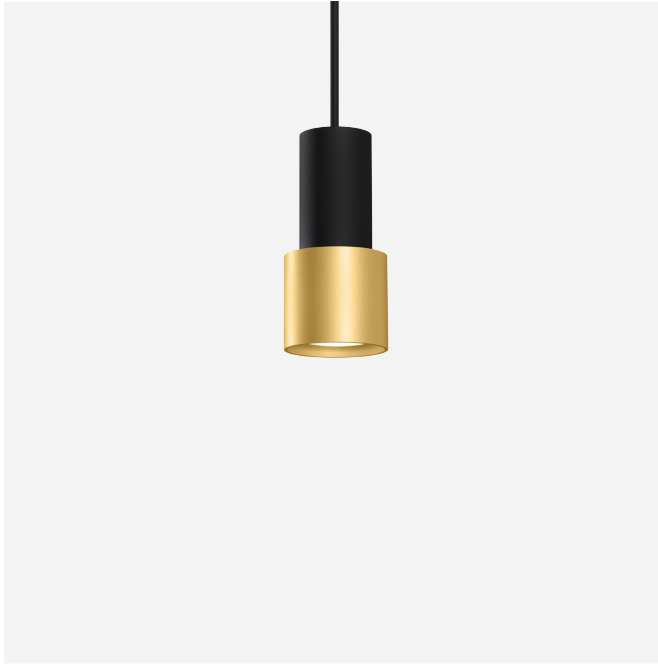
PROJECT

TYPE

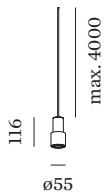
NOTES

QUANTITY

DATE



Ceiling suspended luminaire made from aluminium; surface Black Matt + Gold wet painted; matt texture; RAL 9011; inclusive adjustable cable suspension max. 4000mm in Signal Black; lamp socket GU10; lamp type PAR16; max. 12W; 100 - 240 V; degree of protection IP20; Class 1; ceiling base not included;



GENERAL

Ceiling
Suspended
Black Matt + Gold
RAL 9011 ^a
IP20
Interior

LED

lamp PAR16
socket GU10
max. per socket 12.0 W
CRI ≥ 90

ELECTRICAL

100 - 240 V
Class 1

PHYSICAL

diameter 55 mm
height 116 mm
0.95 kg

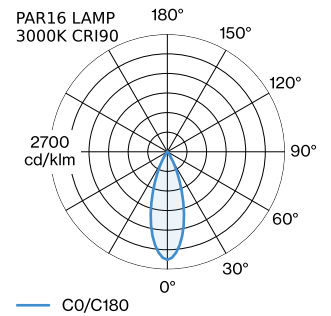
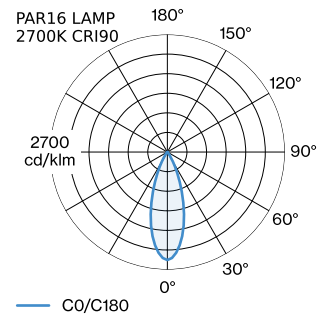
^a Colour may deviate slightly due to production conditions.

MEASURED LAMPS

PAR16 LAMP 2700K CRI90
460 lm
6.5 W

PAR16 LAMP 3000K CRI90
480 lm
6.5 W

LIGHT DISTRIBUTION



[‘287120BGO’] The technical data represent rated values for an ambient temperature of 25°C. The data values for the luminous flux are initially subject to a tolerance of +/- 10%, those for the electrical connected load are initially subject to a tolerance of +/- 10%, and those for the colour temperature are initially subject to a tolerance of +/- 150 K. No liability is assumed for typographical or printing errors. The general terms and conditions of Wever & Ducré BV apply.


MOUNTING ACCESSORIES
Cable Wall-Ceiling Bracket

Type	Colour	Voltage	Ø·H (MM)	Item number
	White		16·30	90019197
	Black		16·30	90019198

Hook

Type	Colour	Voltage	Ø·H (MM)	Item number
standard multi suspension hook	Black		3·83	90052024
standard multi suspension hook	White		3·83	90052025
optional multi suspension hook	Black		5·90	90052065
optional multi suspension hook	White		5·90	90052066
for cable 4.25-5.5mm diameter	White		15·35	90052079
for cable 4.25-5.5mm diameter	Black		15·35	90052080

Invisible ceiling base

Type	Colour	Voltage	L·W (MM)	Item number
	Black		140·66	90015195
	White		140·66	90015196

Multiple base linear

Type	Colour	Voltage	L·W·H (MM)	Item number
up to max. 2 luminaires	White		600·30·45	90052007
up to max. 2 luminaires	Black		600·30·45	90052008
up to max. 3 luminaires	White		900·30·45	90052009
up to max. 3 luminaires	Black		900·30·45	90052010
up to max. 4 luminaires	White		1200·30·45	90052011
up to max. 4 luminaires	Black		1200·30·45	90052012
up to max. 5 luminaires	White		1500·30·45	90052013
up to max. 5 luminaires	Black		1500·30·45	90052014

Multiple base round

Type	Colour	Voltage	Ø·H (MM)	Item number
up to max. 4 luminaires	White		123·44	90052005
up to max. 4 luminaires	Black		123·44	90052006
up to max. 8 luminaires	White		123·44	90052031
up to max. 8 luminaires	Black		123·44	90052032

Semi recessed base

Type	Colour	Voltage	Ø·H (MM)	Item number
for shades without steel wire only	White		84·72	90052026
for shades without steel wire only	Black		84·72	90052027

Single base

Type	Colour	Voltage	Ø·H (MM)	Item number
ceiling base round	Black		84·29	90052021
ceiling base round	White		84·29	90052022

Wall Base

Type	Colour	Voltage	Ø·H (MM)	Item number
for 1 luminaire	White		82·32	90019195
for 1 luminaire	Black		82·32	90019196

ELECTRICAL ACCESSORIES

[287120BG0] The technical data represent rated values for an ambient temperature of 25°C. The data values for the luminous flux are initially subject to a tolerance of +/- 10%, those for the electrical connected load are initially subject to a tolerance of +/- 10%, and those for the colour temperature are initially subject to a tolerance of +/- 150 K. No liability is assumed for typographical or printing errors. The general terms and conditions of Wever & Ducre BV apply.

287120BG0



LED LAMPS
Type

Type	Colour	Voltage	Item number
	Black Texture		W901228B3
	Black Texture		W901228B5

LAMPS

PAR16 LED Lamp
Type

Type	Colour	Voltage	Ø·H (MM)	Item number
2700K >90 CRI GU10	White		50-60	901228W3
3000K >90 CRI GU10	White		50-60	901228W5
2700K >80 CRI GU10	Silver		50-60	905227S2
3000K >80 CRI GU10	Silver		50-60	905227S4

TRACK ACCESSORIES

Track Adapter 2.0

Type	Colour	Voltage	L·W·H (MM)	Item number
1-phase track	White		80·24·26	90014277
1-phase track	Black		80·24·26	90014278