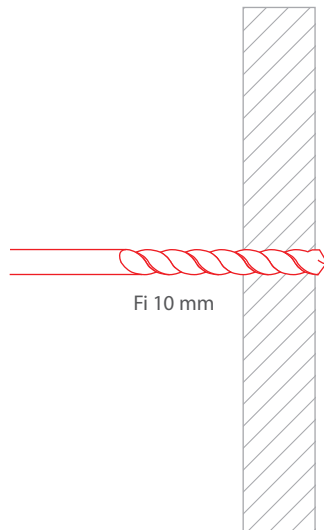


Tools needed for assembly:

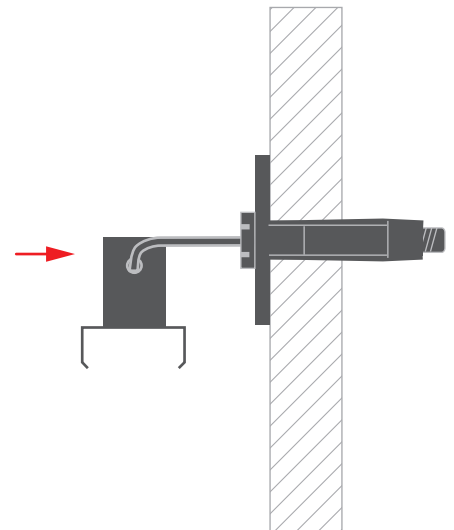
- drill

NOTE! A list of products corresponding with the selected accessories is available at www.klusdesign.eu/uk.

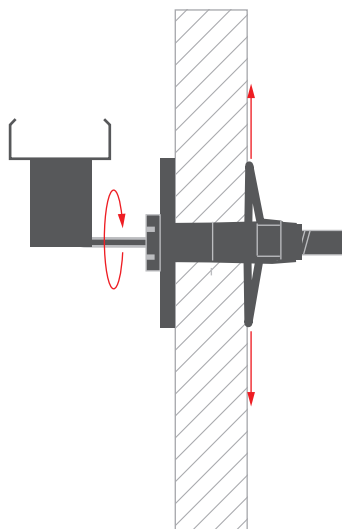
1. Drill a hole in the drywall 10mm in diameter.



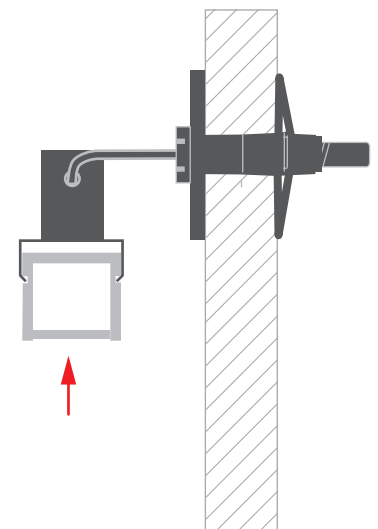
2. Insert the M3 mounting set into the drilled hole.



3. Turn the head to tighten the screw to the fullest – as it tightens it will expand the drywall anchor and fix the mounting set in the drywall.



4. Insert selected fixture/ extrusion into the mounting bracket.



5. ATTENTION! POSITION OF THE FIXTURE CAN BE REGULATED on the arm in a range of 300 degrees.

