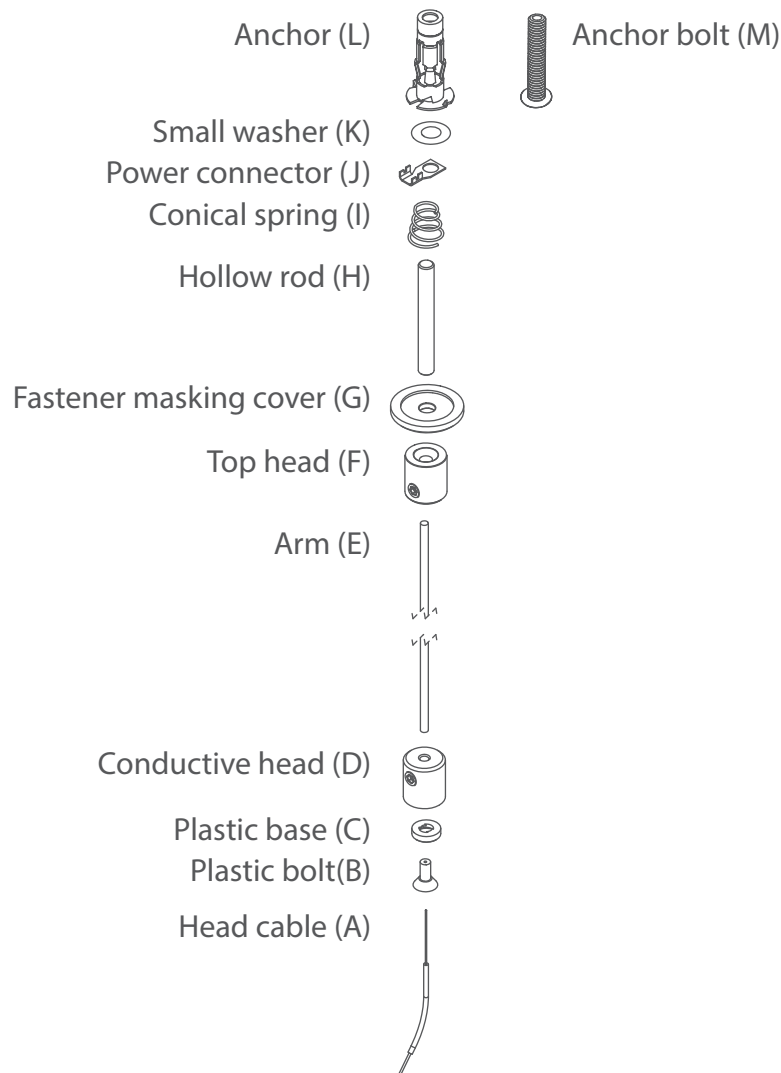


**Parts needed to assemble and mount the W2 fastener set**

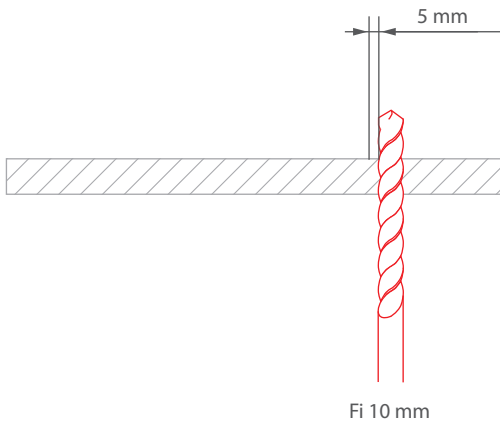


**Tools needed for mounting:**

- Allen wrench
- drill
- pliers

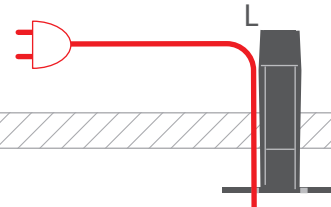
**NOTE!** A list of products corresponding with the selected accessories is available at [www.klusdesign.eu/uk](http://www.klusdesign.eu/uk).

**1.** Drill a hole with a diameter of 10 mm in a plasterboard ceiling. The hole must be next to the outlet of the cable with a single pole (approx 5 mm from it).



**2.** Insert the anchor (L) into the hole. The cable must be in one of the incisions in the anchor flange.

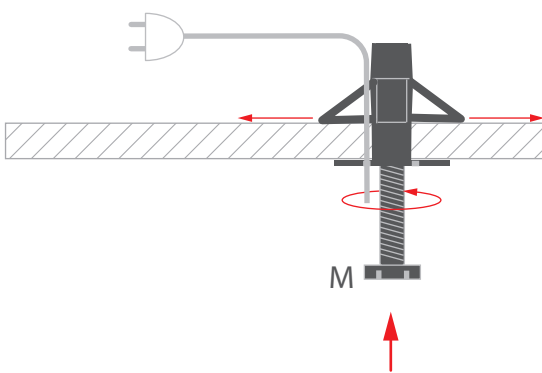
cross-section



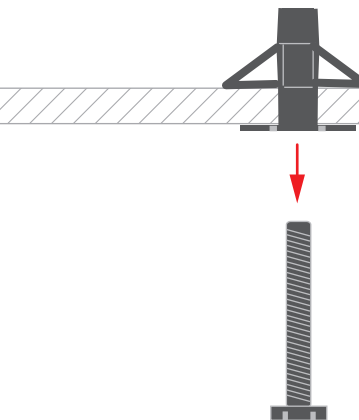
top view



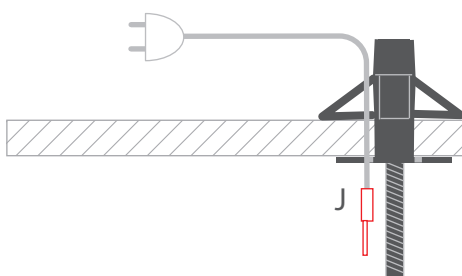
**3.** Tighten the bolt (M) fully in the anchor to expand it and block the anchor in the ceiling.



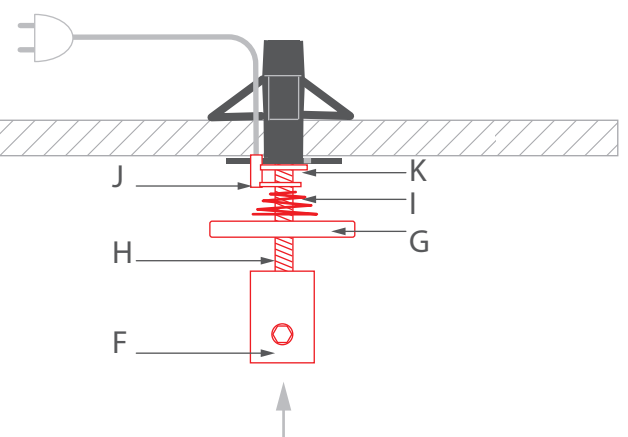
**4.** Remove the bolt from the anchor.



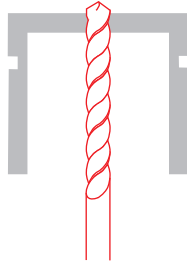
**5.** Attach the power connector (J) to the cable end.



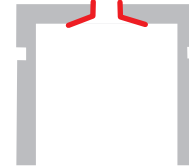
**6.** Bend the power connector (J) so that the rod (H) can be put through it and insert it into the anchor. On the rod put the washer (K), power connector, conical spring (I), fastener masking cover (G), and top head (F). Fix the entire assembly to the ceiling.



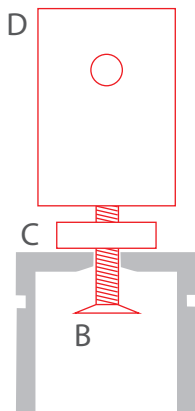
**7.** Drill a hole with a diameter of 5 mm in the selected extrusion.



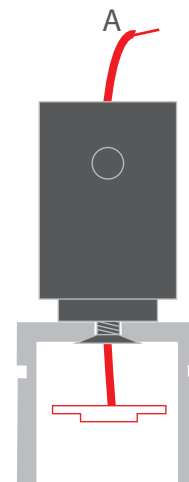
**8.** Bevel the hole so that the plastic bolt head fits in.



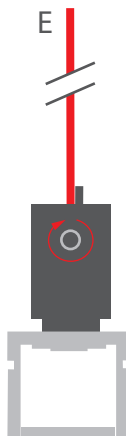
**9.** Mount the plastic bolt (B), on the top put the plastic base (C) and conductive head (D).



**10.** Run the cable (A) through the hole in the plastic bolt and connect power to the LED strip.



**11.** Insert the arm (E) into the mounting bracket of the head. It must press the power cable. Block the arm by tightening the pressure screw in the head with the Allen wrench.



**12.** Attach the light fixture with the arm (E) to the top head (F). Block the arm by tightening the pressure screw in the top head with the Allen wrench.

