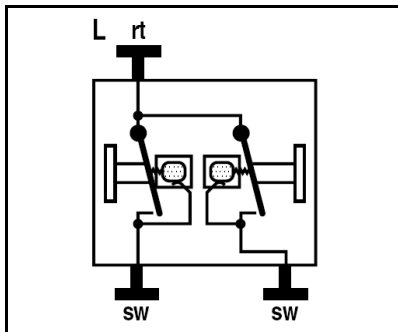


Description: 2-gang switch insert (1-pole, 1-way)
with lamp ref.-no.: 94

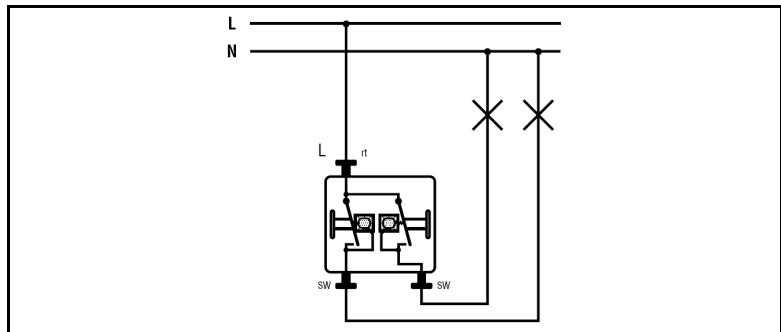
Ref.-no.: 505 U5

illumination possible with lamp

The lamps can be exchanged without disconnecting mains.



Contact assignments



Wiring diagrams
505 U5

Technical data

Switching voltage: AC 250 V ~
Switching current: 10 AX
Connection: screwless terminals
Switch type: 1-pole, 1-way

Accessories

Lamp: Ref.-no.: 94 (230 V, 0.8 mA)