

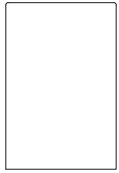
art KBM4011...



TUTORIAL



A



B1



B2



C1



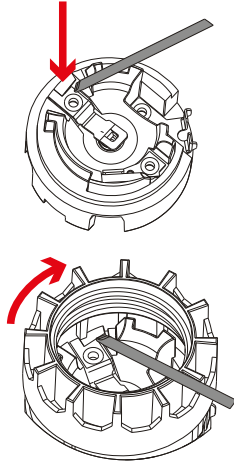
C2



B3

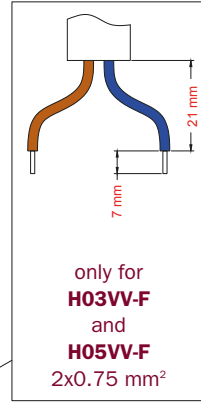
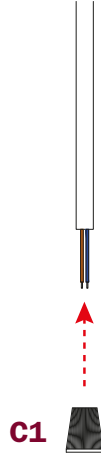


D1

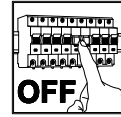


TUTORIAL

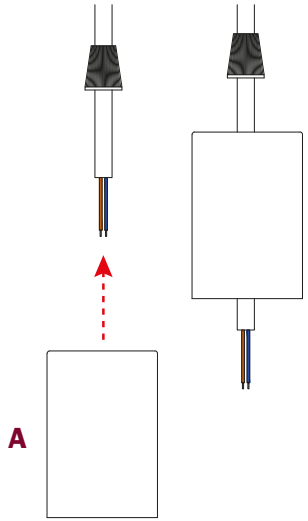
1



only for  
**H03VV-F**  
and  
**H05VV-F**  
2x0.75 mm<sup>2</sup>



2



3

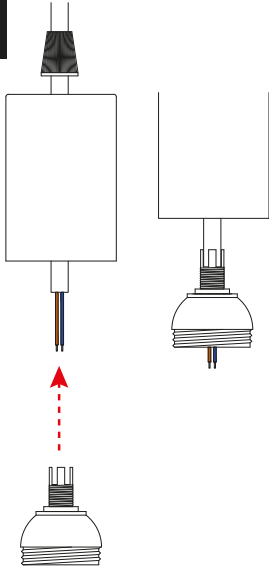
C2



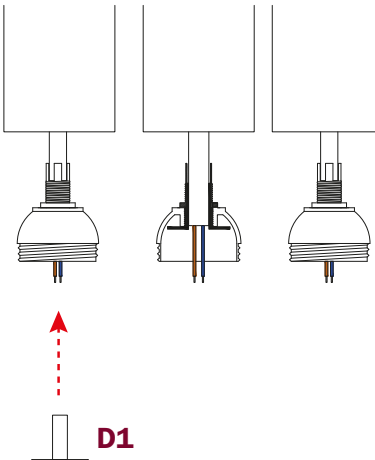
B1



4

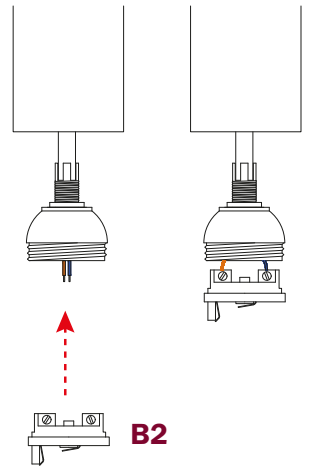


5



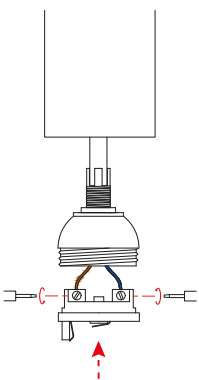
D1

5

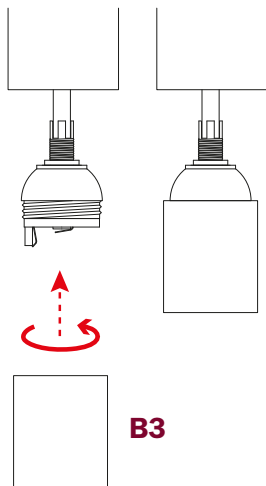


B2

7

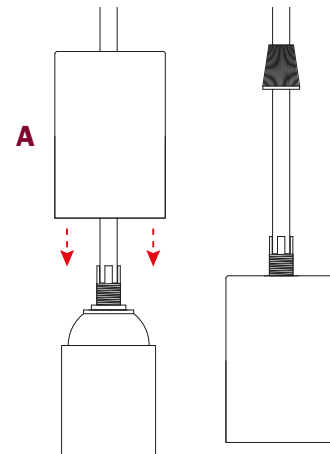


8



B3

9



A

10

