

EIVA IP65 LAMP HOLDER

Codice prodotto: PL27PNEIVA

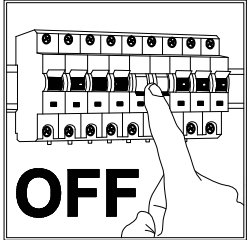


220 - 240V
1 x MAX 12 W LED E27

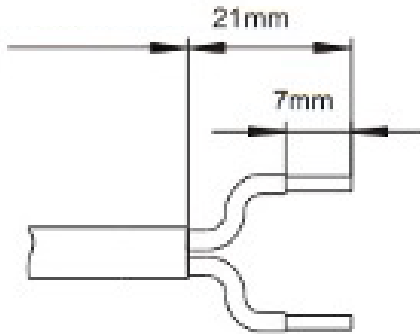
CL. II CE

SE IL CAVO FLESSIBILE ESTERNO DI QUESTO APPARECCHIO VIENE DANNEGGIATO DEVE ESSERE SOSTITUITO DAL COSTRUTTORE O DAL SUO SERVIZIO ASSISTENZA O DA PERSONALE QUALIFICATO EQUIVALENTE AL FINE DI EVITARE PERICOLI

IF THE EXTERNAL FLEXIBLE CABLE OF THIS LUMINAIRE IS DAMAGED, IT SHALL BE EXCLUSIVELY REPLACED BY THE MANUFACTURER OR HIS SERVICE AGENT OR A SIMILAR QUALIFIED PERSON IN ORDER TO AVOID HAZARDS

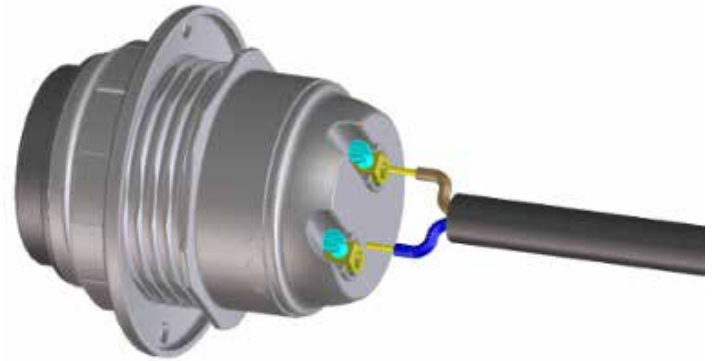


1 Strip back and skin the power cord as indicated below



Only use 2x1.00 mm² H05RN-F cable with or without fabric cover

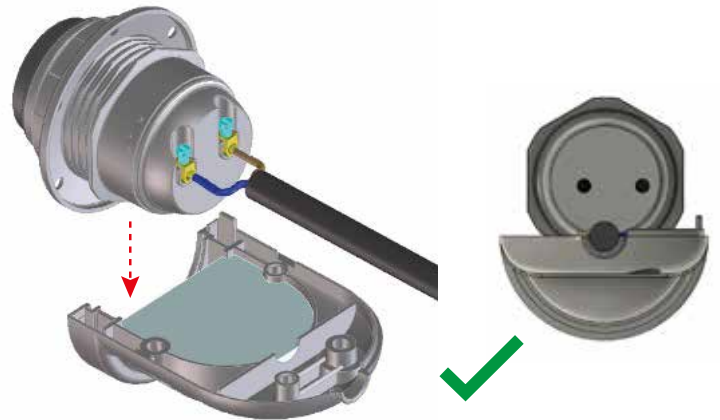
2 Connect the conductors to the screw terminals of the lamp holder



3 Open the shell coverings of the lamp holder



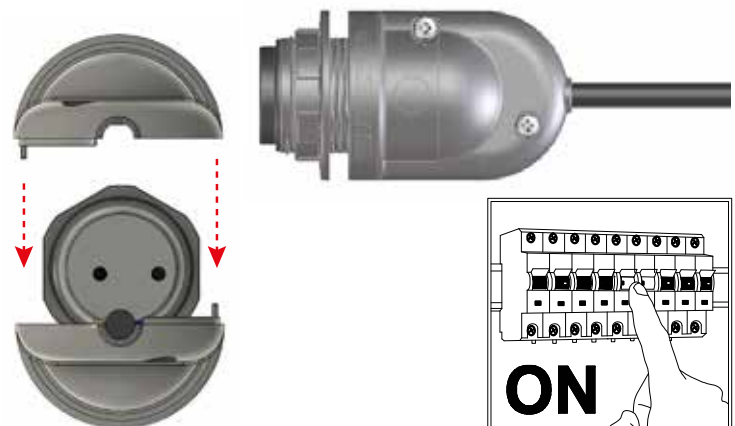
4 Insert the cabled lamp holder in one of the two shells



5 Place the cable in the strain relief



6 Position the second shell and tighten the screw



ONLY LED BULB

