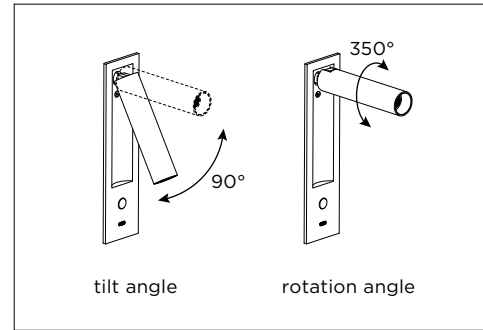
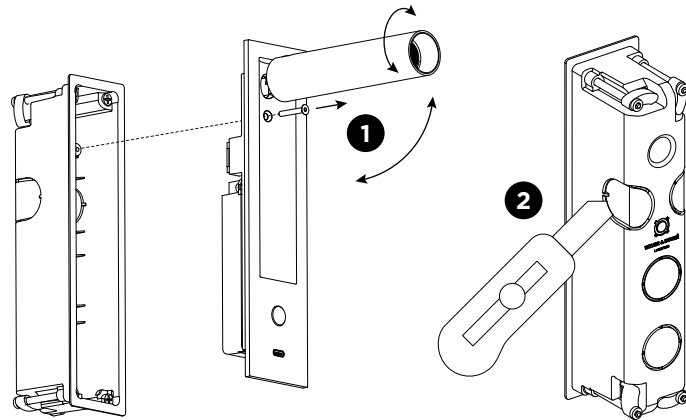
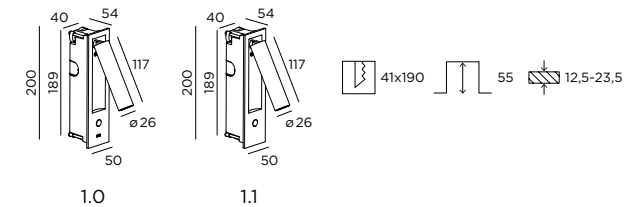


MATCH snooze recessed

INSTALLATION INSTRUCTIONS | MARCH 2026



DIMENSIONS

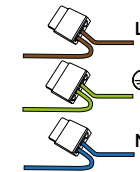


MOUNTING INSTRUCTION

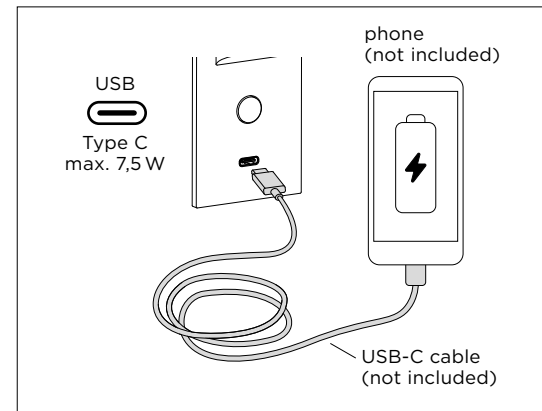
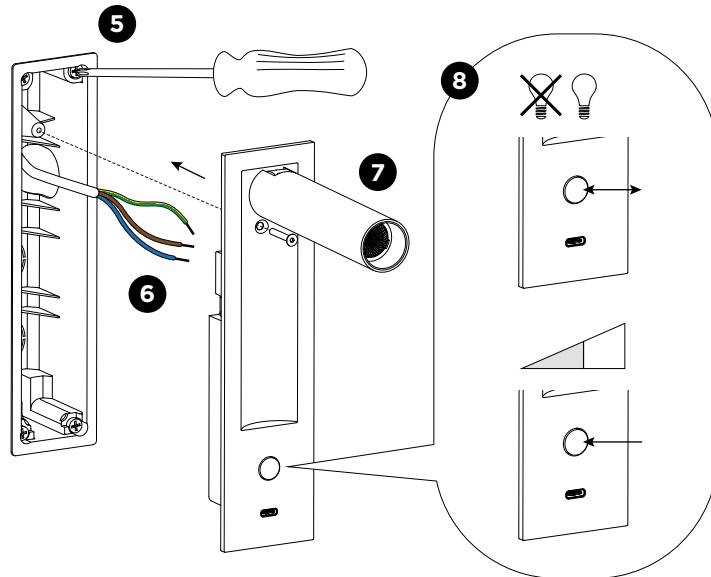
- 1 Tilt and turn the tube upwards to loosen the screw and remove the fixture from the mounting box.
- 2 Cut the desired hole in the mounting box.
- 3 Make a hole in the wall according to the prescribed dimensions.
- 4 Insert the mounting box in the wall.
- 5 Turn the 4 screws clockwise until the mounting box is fixed.

6 POWER CONNECTION

Connect to 220-240V.

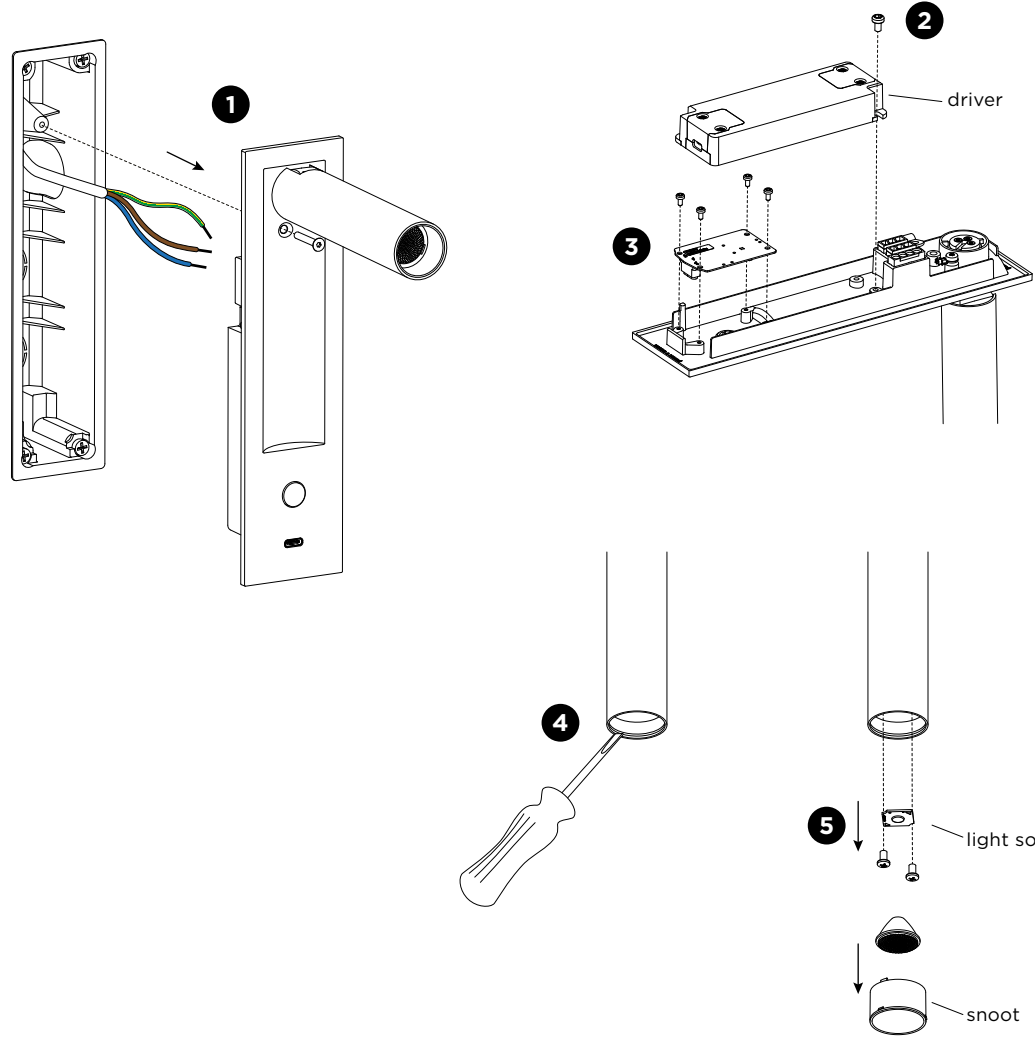


- 7 Screw the fixture back to the mounting base.
- 8 Push the button to turn the light on/off. Hold the button to dim the light.



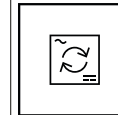
MATCH snooze recessed

INSTALLATION INSTRUCTIONS | MARCH 2026

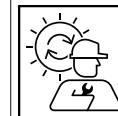


DISMOUNTING INSTRUCTION Light source & driver

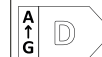
- 1** Tilt and turn the tube upwards to loosen the screw and remove the fixture from the mounting box.
- 2** Loosen the wires and unscrew the driver to remove it.
- 3** Remove the board by unscrewing it.
- 4** Pull out the snout using a flat tool and remove the lens.
- 5** Unscrew the light source to remove it.



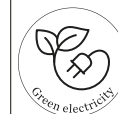
The driver can be replaced by the end user.



The light source is replaceable by Wever & Ducré or by a professional with explicit authorisation. For more information please contact your local Wever & Ducré customer service point.



This luminaire contains a light source with the energy class D.



Use green electricity to light up your luminaire.