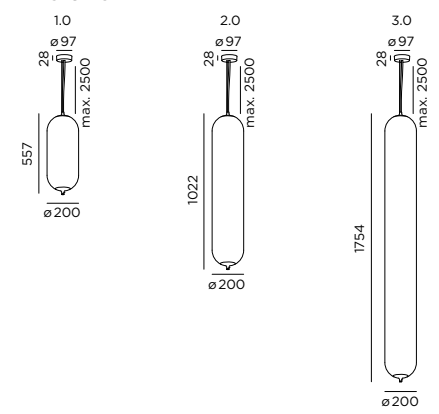
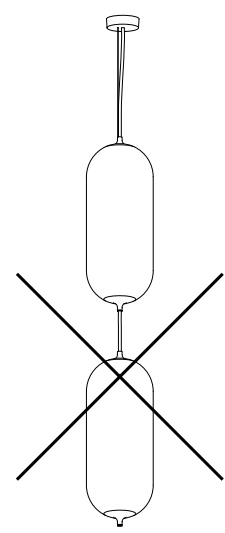


DIMENSIONS



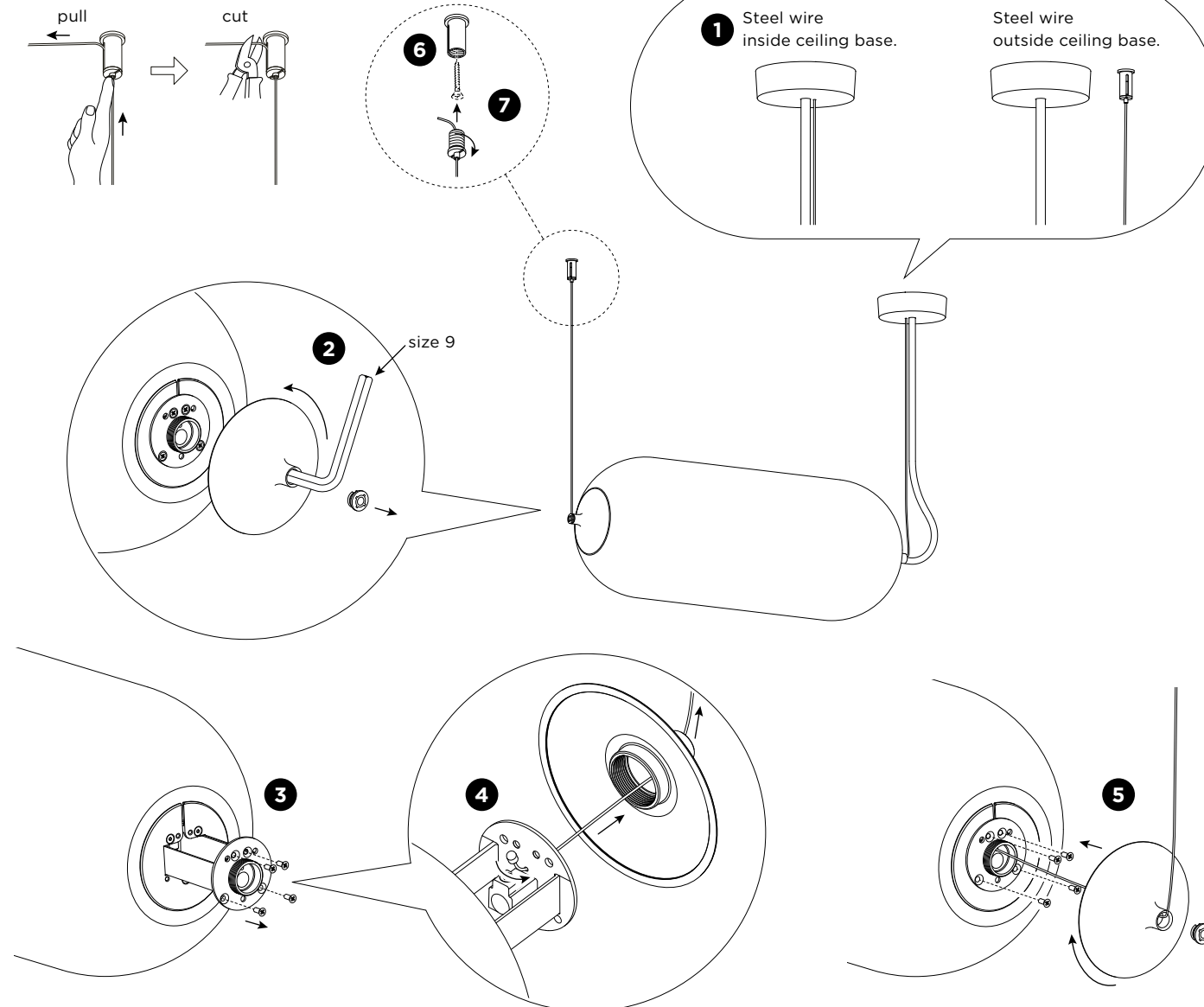
MOUNTING INSTRUCTION

- 1** Pull off the cover from the ceiling base.
- 2** Mount the mounting base on the ceiling with screws (screws are not included).
- 3** Drill a hole in the cover for mounting the steel wire inside the ceiling base.
Optional: mount the steel wire outside the ceiling base. See step 7 on page 2.
- 4** Pull the cable and steel wire through the cover and connect them in the base.
The steel wire must be shorter than the cable.
Optional: shorten the cable to your required length.
- 5 POWER CONNECTION**
Connect to 220-240V.
- 6** Close the ceiling base by pushing the cover on the base.

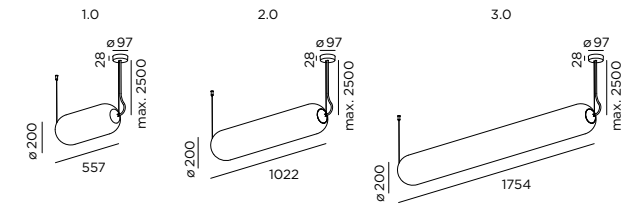


! Vertical system not allowed!

8 Wire length adjustment.



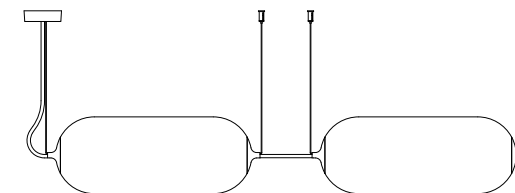
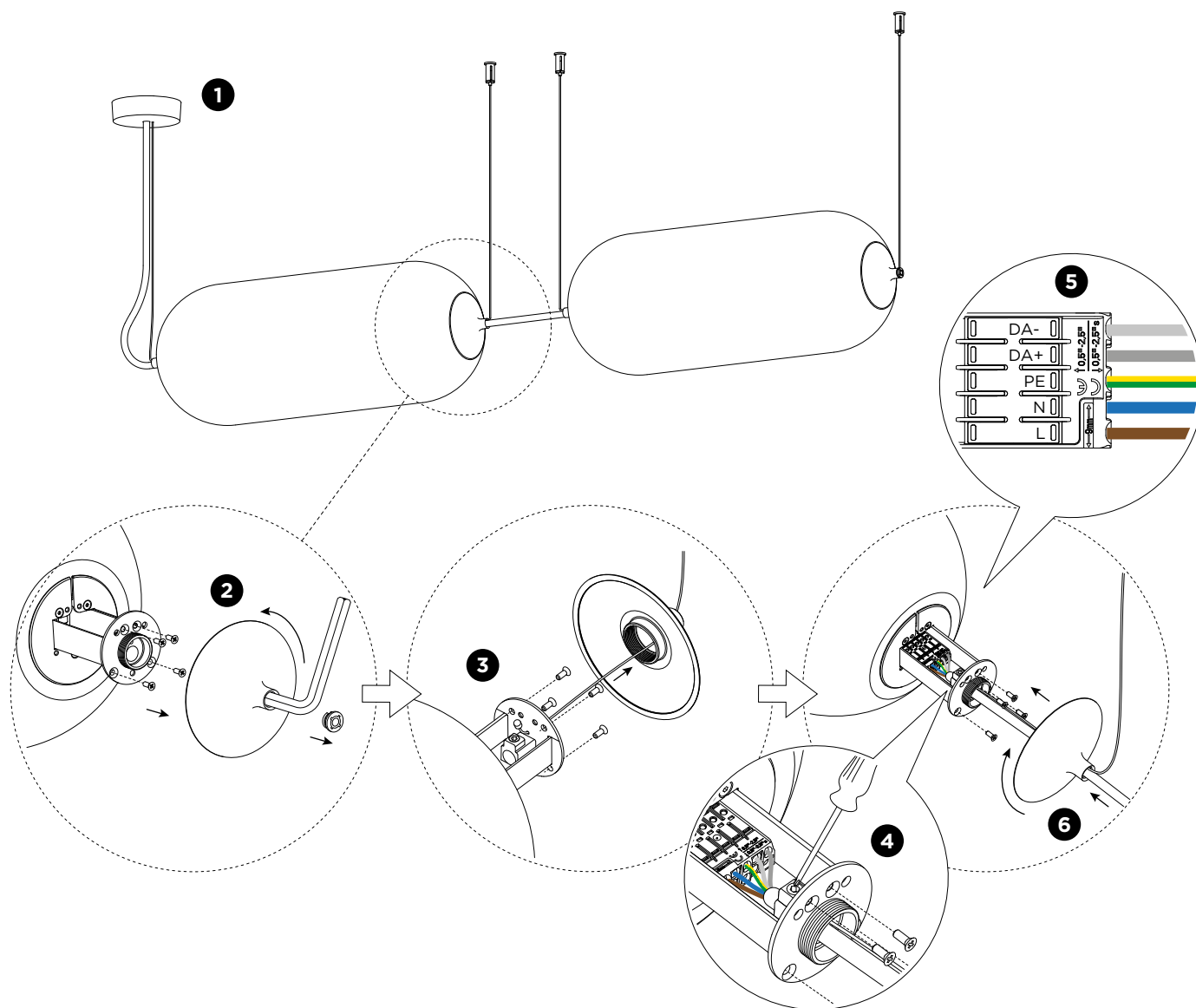
DIMENSIONS



MOUNTING INSTRUCTION

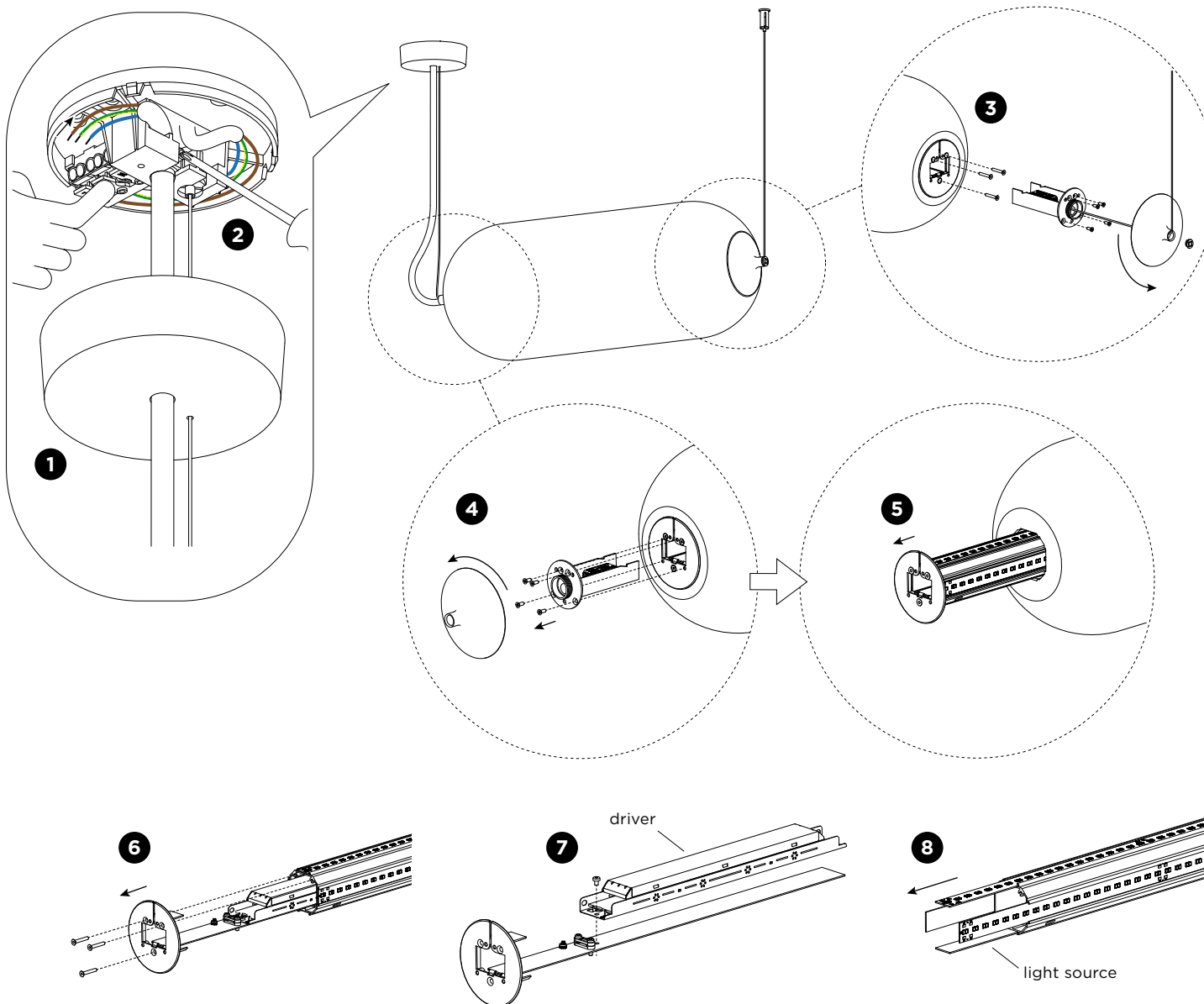
- 1** Mount the ceiling base according to page 1. Optional mount the steel wire outside the ceiling base. See step 7.
- 2** Open the side cover by pulling out the endcap and unscrewing the cover.
- 3** Loosen the screws and pull out the connection box.
- 4** Pull the steel wire through the hole in the connection box and cover.
- 5** Close the connection box and cover.
- 6** Screw out the top piece of the cable holder and mount it on the ceiling with screws (screws are not included).
- 7** Pull the steel wire through the cable holder and screw it to the top piece.
- 8** Adjust the steel wires to the required length.





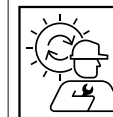
MOUNTING INSTRUCTION

- 1** Mount the ceiling base according to page 1.
- 2** Open the side cover by pulling out the endcap and unscrewing the cover. Loosen the screws and pull out the connection box.
- 3** Pull the steel wire through the hole in the connection box and cover.
- 4** Pull the cable from your next luminaire through the cover into the connection box and tighten the screw.
- 5** Connect the wires to the terminal.
- 6** Close the connection box and cover.
- 7** Follow point 7 to 9 on page 2.

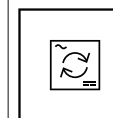


DISMOUNTING INSTRUCTION
Light source & driver

- 1** Pull off the cover.
- 2** Disconnect the wires in the ceiling base.
- 3** Open the side cover by pulling out the endcap and unscrewing the cover. Loosen the screws and pull out the connection box to unscrew the profile.
- 4** Open the other side cover by unscrewing it, loosen the screws to pull out the connection box and disconnect the wires.
- 5** Pull out the profile.
- 6** Remove the screws and pull out the driver sheet from the profile.
- 7** Disconnect the wires and loosen the screw to remove the driver.
- 8** Disconnect the wires and pull out the light sources.



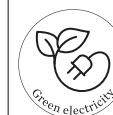
The light source is replaceable by Wever & Ducreé or by a professional with explicit authorisation. For more information please contact your local Wever & Ducreé customer service point.



The driver can be replaced by the end user.



This luminaire contains a light source with the energy class D.



Use green electricity to light up your luminaire.