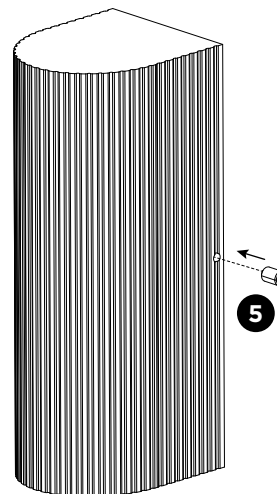
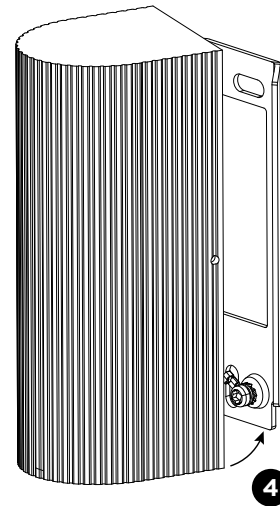
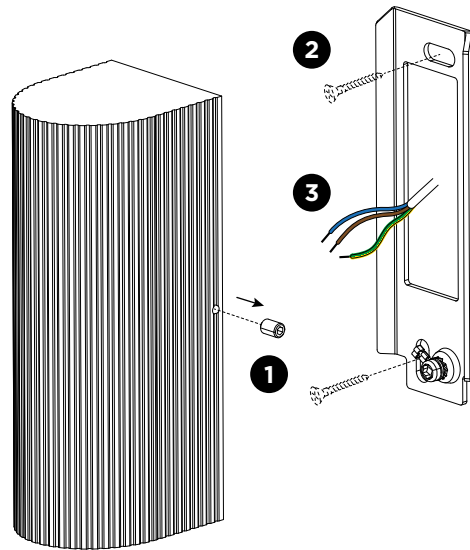
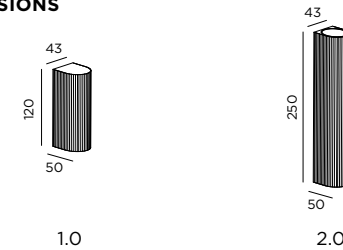


TRACE MINI

INSTALLATION INSTRUCTIONS | OCTOBER 2025



DIMENSIONS

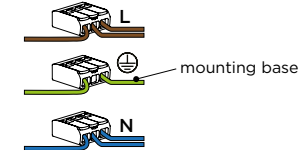


MOUNTING INSTRUCTION

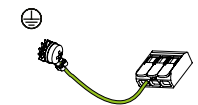
- 1 Remove the mounting base from the luminaire by loosening the socket screw.
- 2 Mount the base on the wall with screws (screws are not included).

3 POWER CONNECTION

Connect to 220-240V.

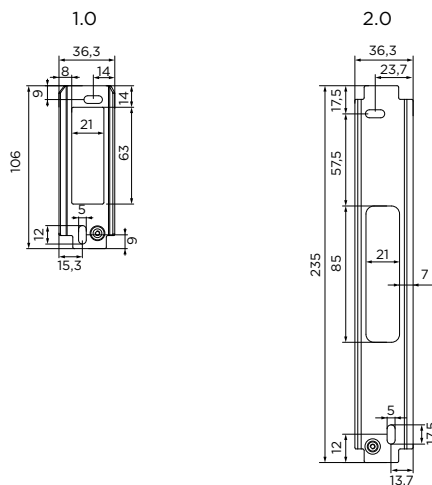


Connect the earth cable.



- 4 Place the luminaire on the mounting base by tilting it.
- 5 Fix the socket screw.

Mounting base:

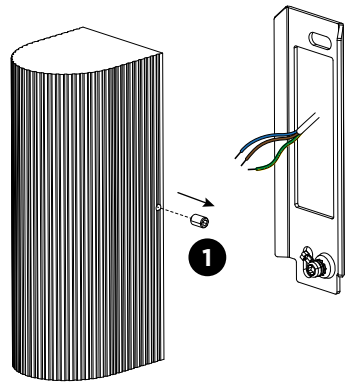


WEVER & DUCRÉ
LIGHTING

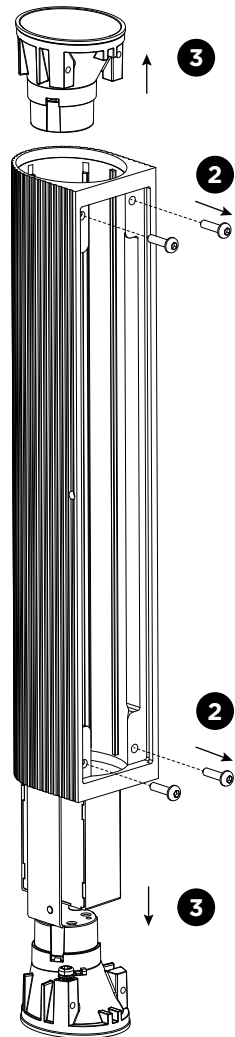
WEVER & DUCRÉ BV
Spinnerijstraat 99/21, 8500 Kortrijk, Belgium
weverducre.com

TRACE MINI

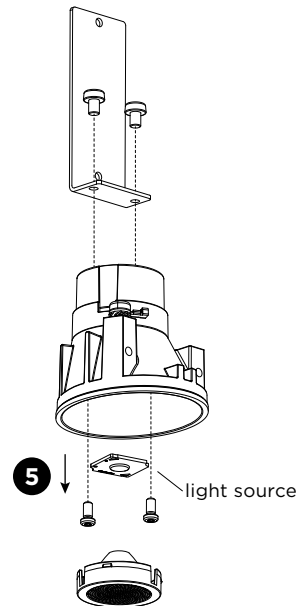
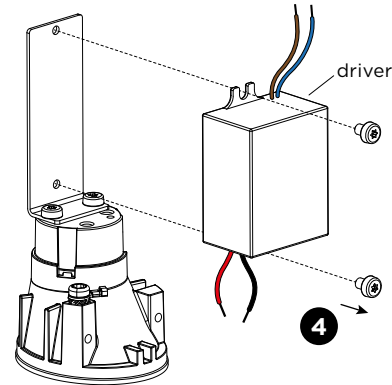
INSTALLATION INSTRUCTIONS | OCTOBER 2025



1.0



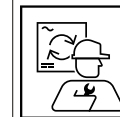
2.0



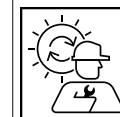
DISMOUNTING INSTRUCTION

Light source & driver

- 1 Loosen the socket screw and disconnect the wires to remove the fixture from the mounting base.
- 2 Unscrew the screws.
- 3 Remove the LED engine(s) from the housing.
- 4 Loosen the screws and disconnect the wires to remove the driver.
- 5 Pull out the lens and loosen the screws to remove the light source.



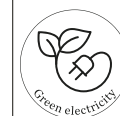
The driver is replaceable by Wever & Ducré or by a professional with explicit authorisation. For more information please contact your local Wever & Ducré customer service point.



The light source is replaceable by Wever & Ducré or by a professional with explicit authorisation. For more information please contact your local Wever & Ducré customer service point.



This luminaire contains a light source with the energy class E.



Use green electricity to light up your luminaire.