

23 LED Drivers > The 24V DC DALI Dimmable Range Constant voltage

89075L



75W 24V DC 1-10V & Push to Dim dimmable constant voltage driver, IP20.

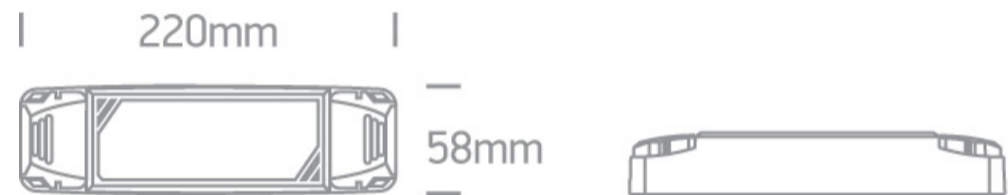
Complies with standard EN61347-1 and any other specific standards.



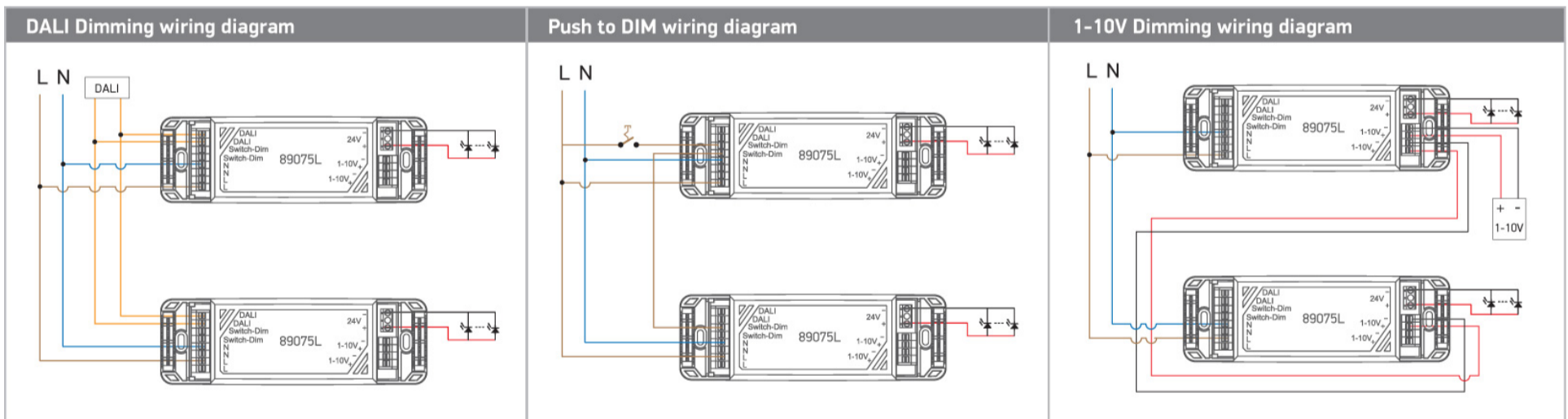
Downloads



Dimensions



Wiring Diagram




Physical Specification

Item Group	23 LED Drivers
Family	The 24V DC DALI Dimmable Range Constant voltage
Order Code	89075L
Material	Plastic
Shape	Rectangular
Length	220mm

Width	58mm
Height	42mm
Indoor	Yes

Electrical Characteristics

Gear

Gear Type	Led Driver
Input Voltage	220-240V
50 Hz	Yes
60 Hz	Yes
Power(Watts)	75W
Power Factor	0,95
Constant Voltage	Yes
24 V	Yes
IP Rating	IP20
Safety Class	
Dimmable	Yes
Dimmer type	Dali, Push to Dim, 1-10V
Ambient Temp	-20°C~45°C
Operating Temp	85°C
Housing Material	Plastic
Output Terminal	Connector
Brand	One Light Ltd
Protection	Short Circuit / Overload / Overheat Protection

Packing Info

Box Length	22,5cm
Box Width	6,5cm
Box Height	5cm

Box Weight	0,655kg
Pcs/Carton	24
Barcode	5291889053507
HS Code	8504408290

Certification & Warranty

Warranty	5 Years
Weee Directive	Yes

switch to
one light!

one
LIGHT

