

PRODUCT DESCRIPTION

Mounting track designed for mounting in-ground lighting fixtures built from HR-MAX profiles.

- Mounting track
- Easy servicing of the HR-MAX profile
- For indoor/outdoor ground installation
- Compatibility with the HR-MAX-TW mounting track
- High mechanical resistance

FINISH :

Non anodized (raw) 

*Custom colors available upon request



Fill empty fields

Product nr.

Fixture type

Company

Job name

Date

TECHNICAL SPECIFICATION

Application

- makes mounting and service of the HR-MAX profile easy

Mounting

- in the ground, with mounting adhesive
- can be easily connected into runs
- possibility to connect to the HR-MAX-TW profile to make a mounting track with sections for cables and accessories at intervals

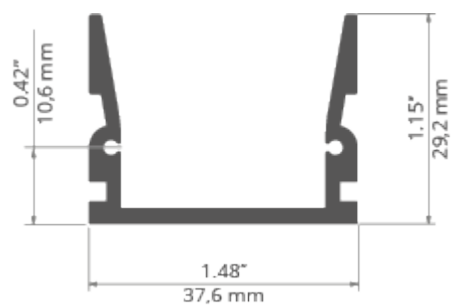
Additional information

- in order to protect the lighting fixture during installation, a TECH-35 protective insert should be used

AVAILABLE LENGTHS

Ref. nr.	surface finish	available lengths
C1827NA_1	Non anodized (raw)	1000 mm
C1827NA_2	Non anodized (raw)	2000 mm

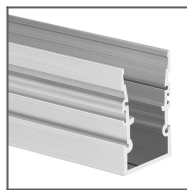
Ref. nr.	surface finish	available lengths
C1827NA_3	Non anodized (raw)	3000 mm

TECHNICAL DRAWING

RELATED PROFILES



HR-MAX System
Ref: C1829 (HR-
MAX) + C1827
(HR-MAX-T) +
C1828 (HR-MAX-
TW)



HR-MAX-TW
Profile
Ref: C1828



HR-MAX Profile
Ref: C1829

RELATED PRODUCTS

END CAPS

STEEL



HR-MAX-T-STN
End cap
Ref: 24389

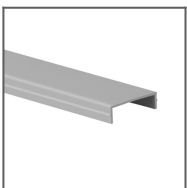
ACCESSORIES

COMPONENTS FOR CONNECTING PROFILES

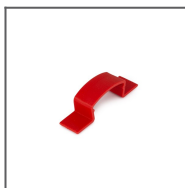


ZM-NA-180
Connector
Ref: 42724

ADDITIONAL ITEMS



TECH-35
protective insert
Ref: 17127



HR-MAX clip
Ref: 24416

MARKETING MATERIALS



Foam 70569
Ref: 70569



Display
P230-90223M
Ref: 90223M