

**PRODUCT DESCRIPTION**

Fill empty fields

Product nr.

Fixture type

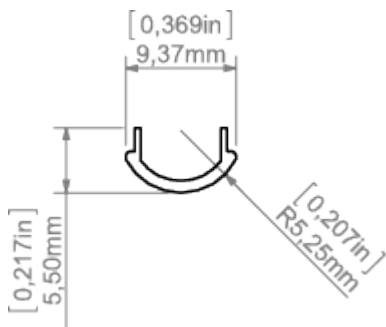
Company

Job name

Date

**TECHNICAL SPECIFICATION**

Material	PMMA
Available length	1000 mm, 2000 mm, 3000 mm
UV resistance	yes

**TECHNICAL DRAWING**

**RELATED PROFILES**



PIKO-O Profile  
Ref: C1167