

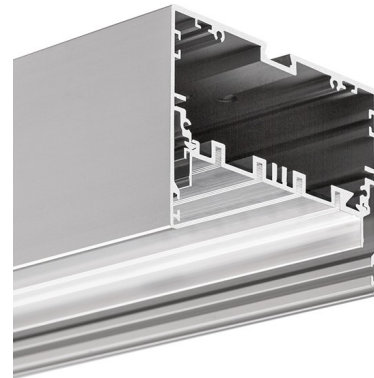
PRODUCT DESCRIPTION

- Wall-to-wall mounting possible
- Glare rating UGR <19 possible
- High lumen output
- Two lighting directions
- Large space for power supply and electronic components
- Easy maintenance

FINISH :

Silver anodized

*Custom colors available upon request



Fill empty fields

Product nr.

Fixture type

Company

Job name

Date

TECHNICAL SPECIFICATION

Application

- main and decorative lighting.

Mounting

- suspended, using dedicated accessories,
- can be easily connected into runs,
- the cover is cut to the length of the lighting fixture.

Additional information

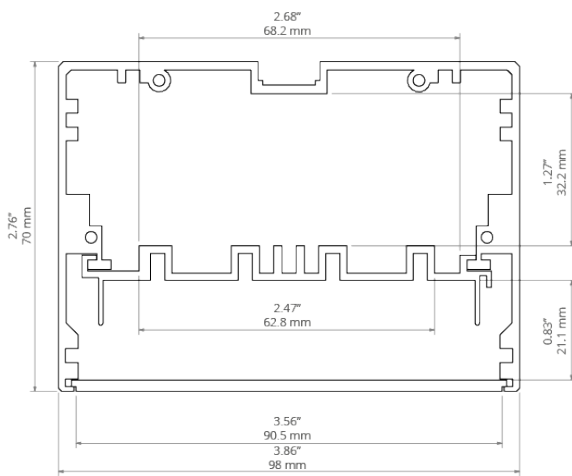
- the MOD-100 lighting fixture can be anodized or painted
- MOD-100 lighting fixtures can produce a strong downward light beam (6 LED tapes, 10 mm wide) or 2 LED current modules 24 mm wide), and an upward beam (1 LED tape, 10 mm wide)
- MOD-100 is designed as a "core" (profile with LED tapes, power supply, cables), which can be prepared in advance (in factory conditions)
- at the installation site, it is enough to insert the prepared "core" into the body of the fixture and connect power
- use 2 locking bolts for each 1m of the fixture. With fixtures shorter than 1m, use at least 2 bolts.

The following covers should be used with the MOD-100 fixture:

- **JUN-100 prismatic** material: PMMA, length: 1.5 m, UV resistant, glare rating UGR ≤ 19 possible
- **POL-100 frosted**, material: PC, length: 1 m, 2 m, 3 m, UV resistant.

AVAILABLE LENGTHS

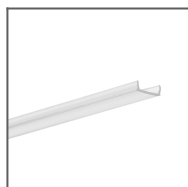
Ref. nr.	surface finish	available lengths
18049ANODA_1	Silver anodized	1000 mm
18049ANODA_2	Silver anodized	2000 mm
18049ANODA_3	Silver anodized	3000 mm

TECHNICAL DRAWING

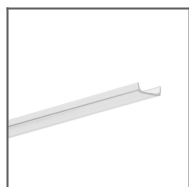
RELATED PRODUCTS

COVERS

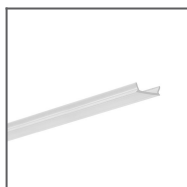
CLEAR COVERS



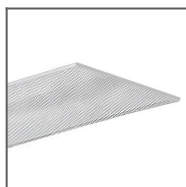
KA clear Cover
Ref: 17036



KA-COM clear
Cover
Ref: 17122

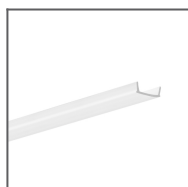


KA-PRO clear
Cover
Ref: 17065

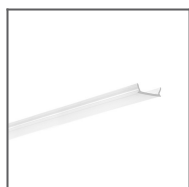


JUN-100 prismatic
Cover
Ref: 17165_1.5

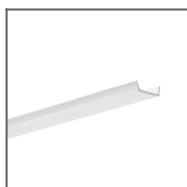
FROSTED COVERS



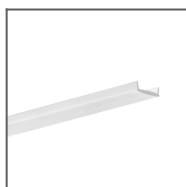
KA frosted Cover
Ref: 17035



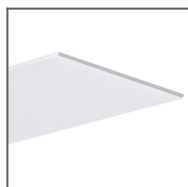
KA-PRO frosted
Cover
Ref: 17064



KA-COM frosted
Cover
Ref: 17121



LIGER frosted
Cover
Ref: 17037



POL-100 frosted
Cover
Ref: 17166

END CAPS

REGULAR END CAPS



MOD-100 grey
End cap
Ref: 24334

ACCESSORIES

FASTENERS & MOUNTING ACCESSORIES



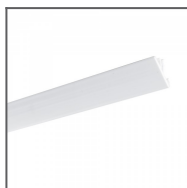
M4-12 Fastener
Ref: 42246

SEALING COMPONENTS



M8 x 1 Gland
Ref: 42265

ADDITIONAL ITEMS



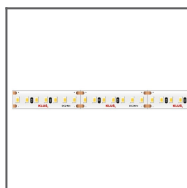
REFLEX 16-60
Reflector
Ref: 17003



Screw 2.9X6.5
DIN7981F
Ref: 70283

LED TAPES

WHITE



LED strip K-0530-
HD-24V 5.3W/m
Ref: K-0530-
HD-24V

HIGH EFFICACY



LED strip K-
HE-0480-HD-24V
Ref: K-HE-0480-
HD-24V



LED strip K-
HE-0960-HD-24V
Ref: K-HE-0960-
HD-24V



LED strip K-
HE-1440-HD-24V
Ref: K-HE-1440-
HD-24V



LED strip K-
HE-1920-HD-24V
Ref: K-HE-1920-
HD-24V

MARKETING MATERIALS



Foam 70344
Ref: 70344



Display
P230-90174M
Ref: 90174M