

PRODUCT DESCRIPTION

Fill empty fields

Product nr.

Fixture type

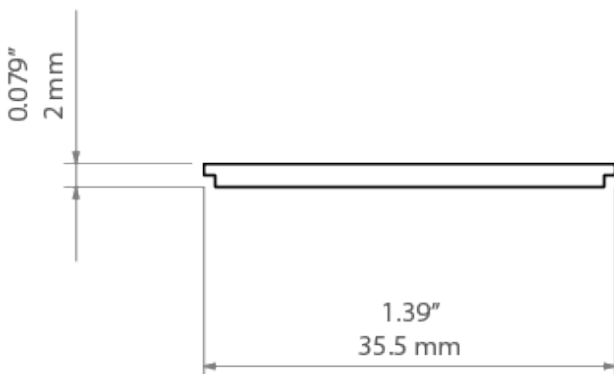
Company

Job name

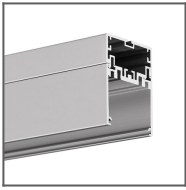
Date

**TECHNICAL SPECIFICATION**

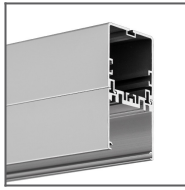
Material	PC
Available length	1000 mm, 2000 mm, 3000 mm
UV resistance	yes

TECHNICAL DRAWING

RELATED PROFILES



4050 Profile
Ref: 18050



4050-W Profile
Ref: 18051