

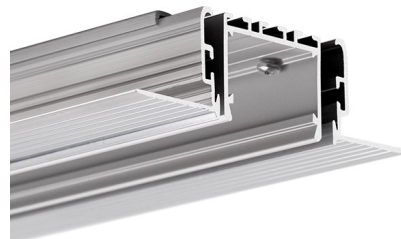
PRODUCT DESCRIPTION

- Wall-to-wall mounting possible
- Openwork structure of the mounting track
- Adjustable elements of the mounting track
- Mounting to drywall boards
- Hardly visible aluminum elements
- Easy maintenance

FINISH :

Silver anodized

*Custom colors available upon request



Fill empty fields

Product nr.

Fixture type

Company

Job name

Date

TECHNICAL SPECIFICATION

Application

- main and decorative lighting.

Mounting

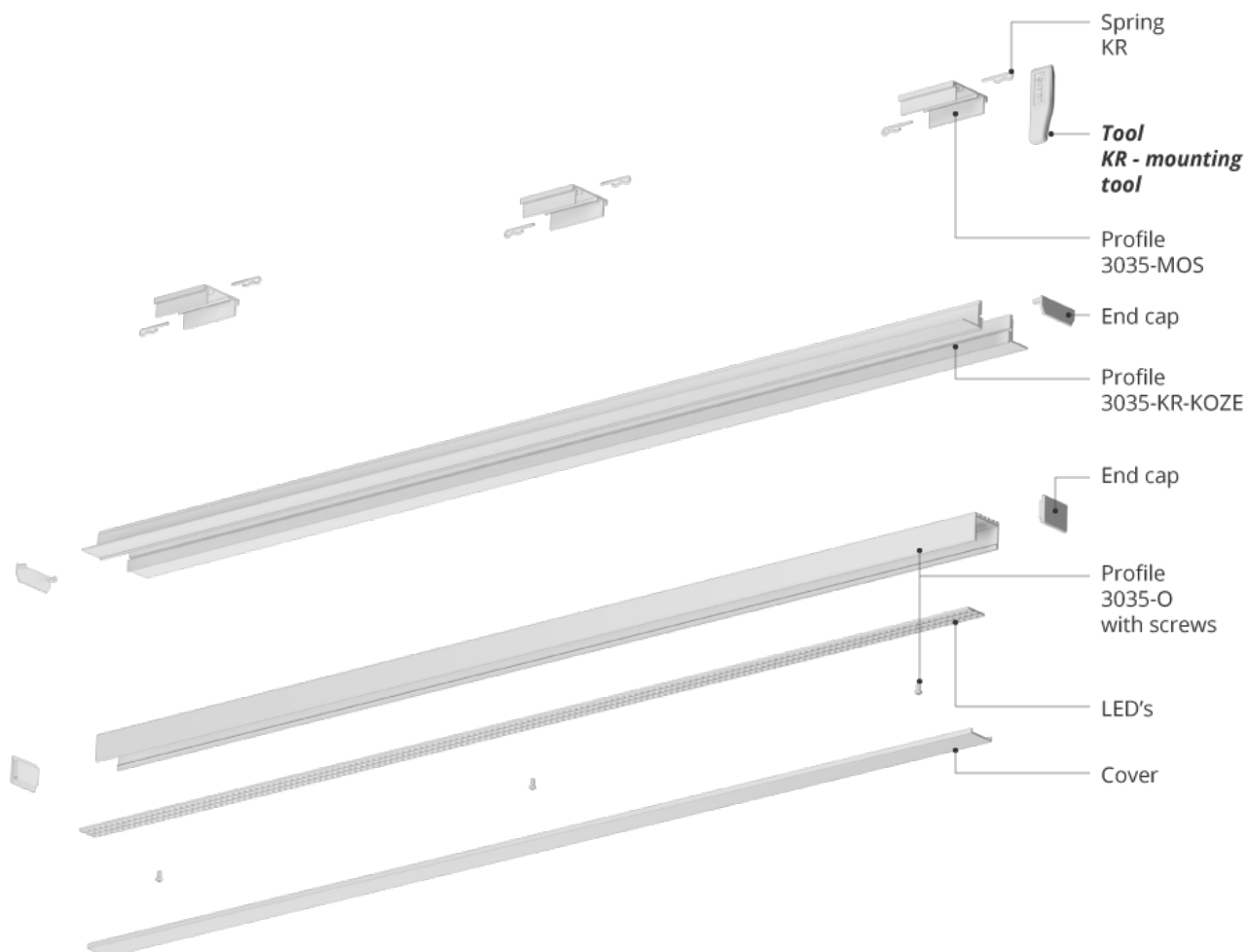
- in drywall, using a dedicated mounting track and mounting adhesive,
- can be easily connected into runs,
- the cover is cut to the length of the lighting fixture.

Additional information

- the power supply and electronic components are mounted on the back of the fixture.

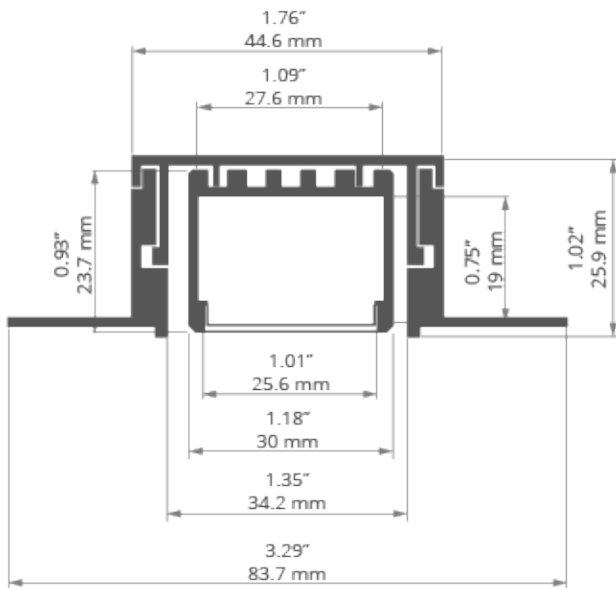
span {font-weight:600;}

Scheme: Profile system 3035-KOZE

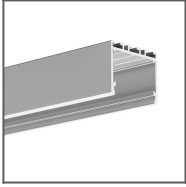


Application	main lighting
Specific features	compartment for power supply
Specific features	to cover with plaster
Specific features	high light output
Material	Aluminium
Finish	Silver anodized
place of installation	indoor installation
Mounting method	recess mount
the possibility of bending	no

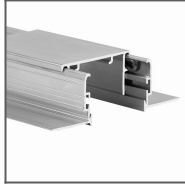
TECHNICAL DRAWING



RELATED PROFILES



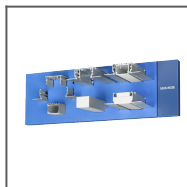
3035-O Profile
Ref: B8441



RAM-3035-KOZE
Profile
Ref: 18056

RELATED PRODUCTS

MARKETING MATERIALS



Foam 70442
Ref: 70442