

PRODUCT DESCRIPTION

The information contained in the description applies to the MOD-KOZE-100 (a set of [RAM-KOZE-100](#), [OMODO-100](#) profiles).

- Wall-to-wall mounting possible
- Openwork structure of the Mounting track
- Adjustable elements of the mounting track
- Mounting to drywall boards
- Slightly visible aluminum components
- Easy maintenance
- Glare rating UGR <19 possible
- High lumen output



Fill empty fields

Product nr.

Fixture type

Company

Job name

Date

TECHNICAL SPECIFICATION

Application

- main and decorative lighting.

Mounting

- in drywall, using a dedicated mounting track and mounting adhesive,
- can be easily connected into runs,
- the cover is cut to the length of the profile.

Additional information

- MOD-KOZE-100 fixtures are designed for 7 LED strips (10 mm wide), 8 strips (8 mm wide) or a LED current module up to 24 mm wide
- the lighting fixture is designed so that the "core" of the lighting fixture (profile with LED tapes, power supply, wires and end caps) can be prepared in advance, in factory conditions
- the only thing to be done at the installation site is to insert the prepared "core" (OMODO-100) into the pre-installed mounting channel (RAM-KOZE-100)
- the width of the gap in the drywall for (RAM-KOZE-100): from 108 mm to 113 mm
- two locking bolts must be used for every 1m of lighting fixture. For lighting fixtures shorter than 1m, at least 2 bolts
- the gaps between the edges of the mounting channel and the "core" of the fixture can be finished with a dedicated silicone cord

The following covers are compatible with MOD-KOZE-50:

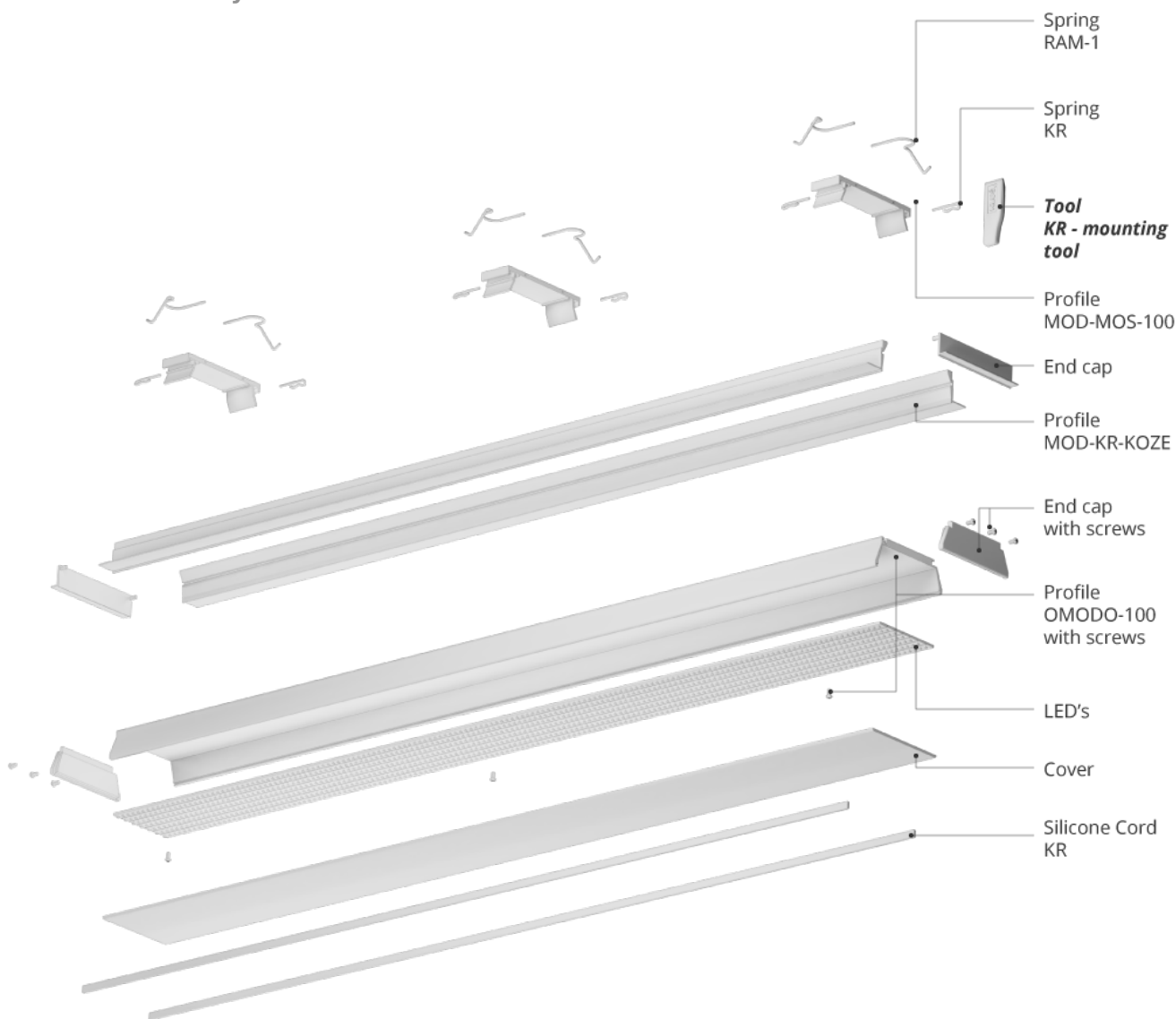
- JUN-100 prismatic material: PMMA, length: 1.5 m, UV resistant, glare rating UGR ≤ 19 possible

- POL-100 frosted material: PC, lengths: 1 m, 2 m, 3 m, UV resistant

Animation: Profile system MOD-KOZE-100

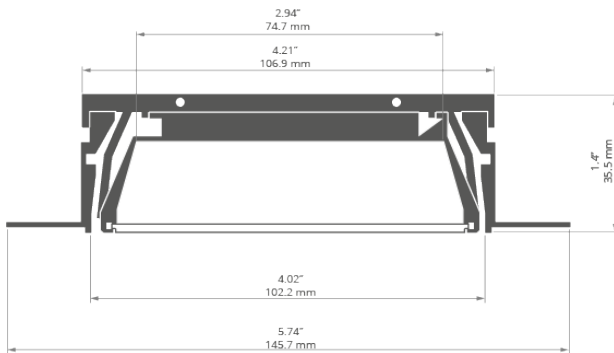
span {font-weight:600;}

Scheme: Profile system MOD-KOZE-100



Application	main lighting
Specific features	compartment for power supply
Specific features	to cover with plaster
Specific features	high light output
Material	Aluminium
place of installation	indoor installation

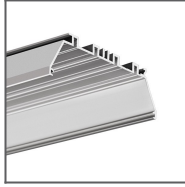
Mounting method	recess mount
Number of LED strips	> 4
the possibility of bending	no

TECHNICAL DRAWING

RELATED PROFILES



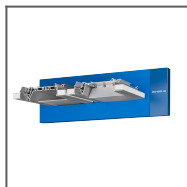
RAM-KOZE-100
Profile
Ref: 18057



OMODO-100
Profile
Ref: 18058

RELATED PRODUCTS

MARKETING MATERIALS



Foam 70428
Ref: 70428