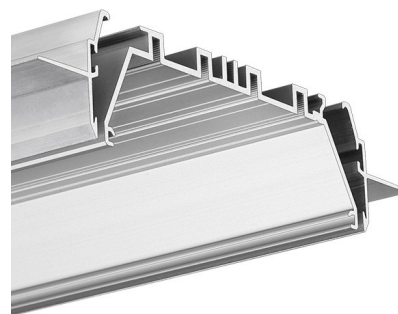


PRODUCT DESCRIPTION

The information contained in the description applies to the MOD-TEK-100 system (a set of [RAM-TEK-100](#), [OMODO-100](#) profiles)

- Wall-to-wall mounting possible
- Openwork structure of the Mounting track
- Adjustable elements of the mounting track
- Mounting to drywall boards
- Stable mounting to a suspended ceiling
- Easy maintenance
- Glare rating UGR <19 possible
- High lumen output



Fill empty fields

Product nr.

Fixture type

Company

Job name

Date

TECHNICAL SPECIFICATION

Application

- main and decorative lighting.

Mounting

- in drywall, using a dedicated mounting track and screws,
- can be easily connected into runs,
- the cover is cut to the length of the profile.

Additional information

MOD-TEK-100 fixtures are designed for 7 LED tapes (10mm wide) or 8 tapes (8mm wide) or two current modules up to 24mm wide.

The lighting fixture is designed so that the "core" of the lighting fixture (profile with LED tapes, power supply, wires and end caps) can be prepared in advance, in factory conditions. The only thing to be done at the installation site is to insert the prepared "core" (OMODO-100) into the pre-installed mounting channel (RAM-TEK-100).

Mounting in 12.5 mm thick drywall boards.

Two locking bolts must be used for every 1 m of lighting fixture. For lighting fixtures shorter than 1 m, at least 2 bolts must be used.

The width of the gap in the drywall for RAM-TEK-100: from 108 mm to 113 mm.

The following are examples of covers are compatible with MOD-TEK-100:

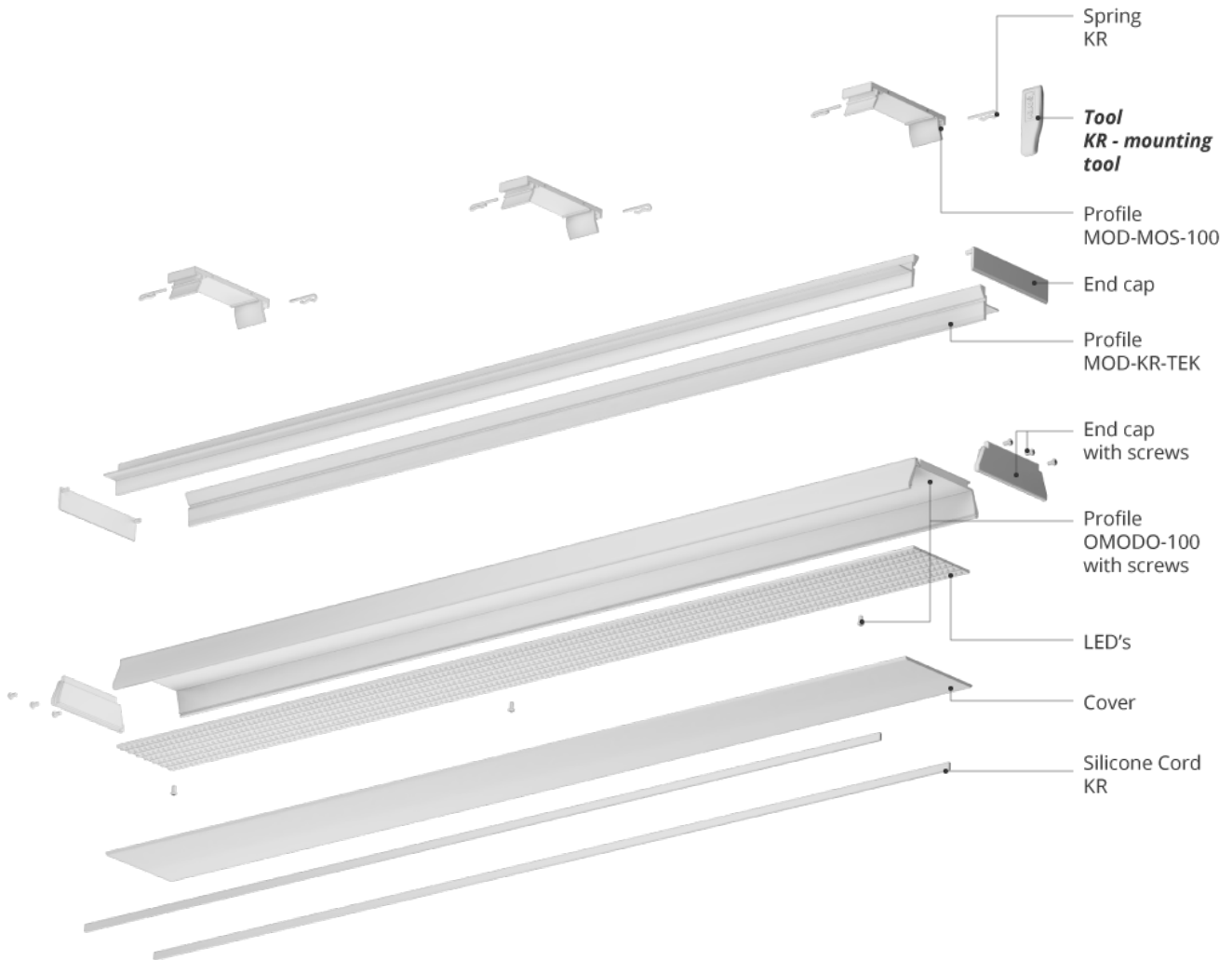
- JUN-100 prismatic material: PMMA, length: 1.5 m, UV resistant, glare rating UGR ≤ 19 possible,
- POL-100 frosted, material: PC, lengths: 1 m, 2 m, 3 m, UV resistant.

The gaps between the edges of the mounting channel and the "core" of the fixture can be finished with a dedicated silicone cord.

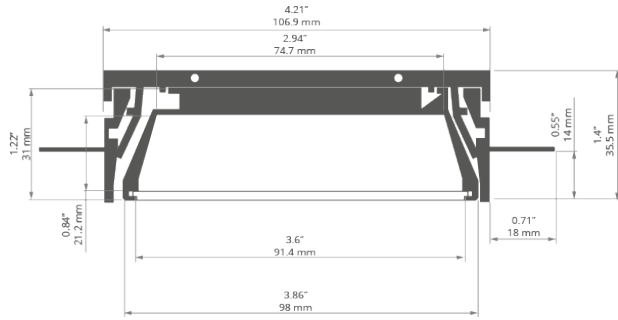
Animation: Profile system MOD-TEK-100

span {font-weight:600;}

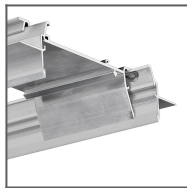
Scheme: Profile system MOD-TEK-100



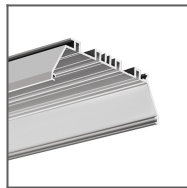
TECHNICAL DRAWING



RELATED PROFILES



RAM-TEK-100
Profile
Ref: 18061



OMODO-100
Profile
Ref: 18058

RELATED PRODUCTS

MARKETING MATERIALS



Foam 70470
Ref: 70470