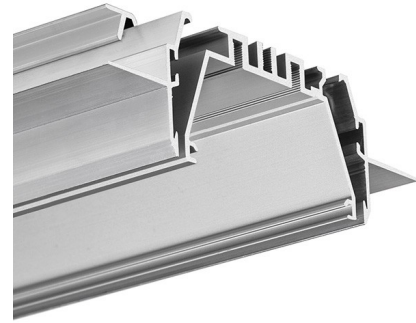


## PRODUCT DESCRIPTION

The information contained in the description applies to the MOD-TEK-50 system (a set of [RAM-TEK-50](#), [OMODO-50](#) profiles).

- Wall-to-wall mounting possible
- Openwork structure of the Mounting track
- Adjustable elements of the mounting track
- Mounting to drywall boards
- Stable mounting to a suspended ceiling
- Easy maintenance
- Glare rating UGR <19 possible



Fill empty fields

Product nr.

Fixture type

Company

Job name

Date

## TECHNICAL SPECIFICATION

### Application

- main and decorative lighting.

### Mounting

- in drywall, using a dedicated mounting track and screws,
- can be easily connected into runs,
- the cover is cut to the length of the profile.

### Additional information

MOD-TEK-50 fixtures are designed for 3 LED tapes (10 mm wide) or 4 tapes (8 mm wide) or a LED current module up to 24 mm wide.

The lighting fixture is designed so that the "core" of the lighting fixture (profile with LED tapes, power supply, wires and end caps) can be prepared in advance, in factory conditions. The only thing to be done at the installation site is to insert the prepared "core" (OMODO-50) into the pre-installed mounting channel (RAM-TEK-50).

Mounting in 12.5 mm thick drywall boards.

Two locking bolts must be used for every 1 m of lighting fixture. For lighting fixtures shorter than 1m, at least 2 bolts must be used.

The width of the gap in the drywall for RAM-TEK-50: from 66 mm to 71 mm

The following are examples of covers are compatible with MOD-TEK-50:

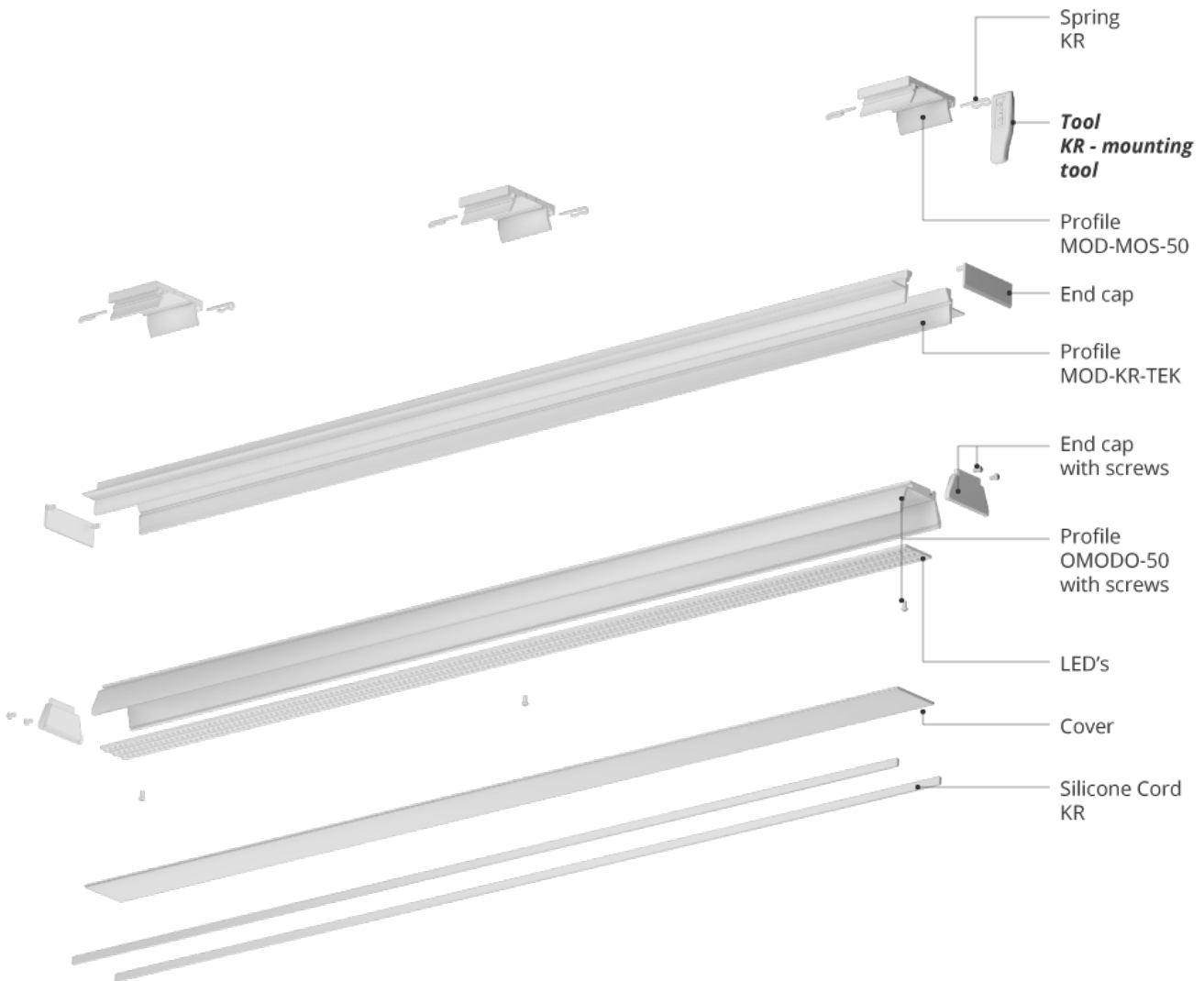
- JUN-50 prismatic material: PMMA, length: 1.5 m, UV resistant, glare rating UGR  $\leq$  19 possible,
- POL-50 frosted, material: PC, lengths: 1 m, 2 m, 3 m, UV resistant.

The gaps between the edges of the mounting channel and the "core" of the fixture can be finished with a dedicated silicone cord.

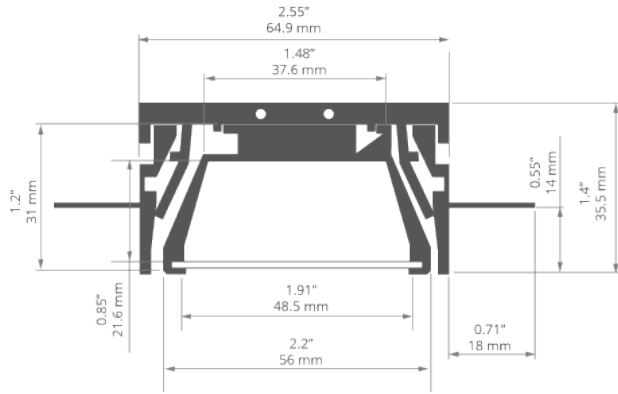
**Animation: Profile system MOD-TEK-50**

span {font-weight:600;}  
span {font-weight:600;}

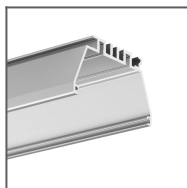
**Scheme: Profile system MOD-TEK-50**



**TECHNICAL DRAWING**



RELATED PROFILES



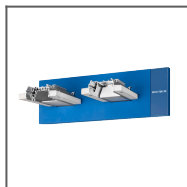
OMODO-50 Profile  
Ref: 18053



RAM-TEK-50  
Profile  
Ref: 18059

## RELATED PRODUCTS

## MARKETING MATERIALS



Foam 70469  
Ref: 70469