

PRODUCT DESCRIPTION

- Invisible groove edge
- Minimum height
- Small bending radius

FINISH :

Non anodized (raw) Silver anodized 

*Custom colors available upon request



Fill empty fields

Product nr.

Fixture type

Company

Job name

Date

TECHNICAL SPECIFICATION

Application

- furniture and decorative lighting.

Mounting

- recessed, with mounting adhesive or double-sided adhesive tape,
- the cover is cut to the length of the prof.

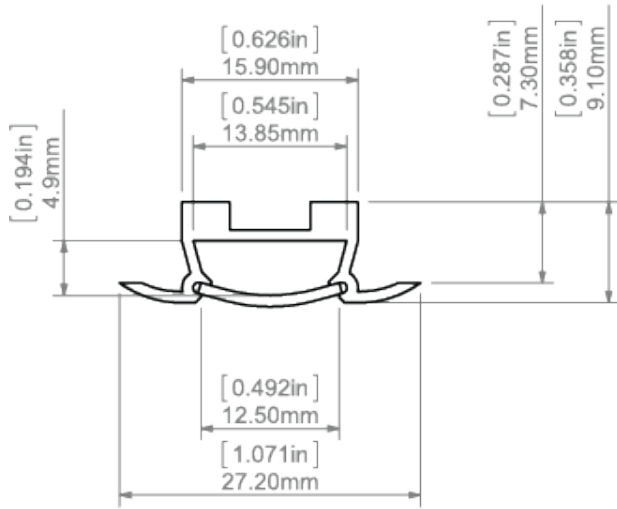
Additional information

- cover with a simplified design
- space for LED strip: 13.85 mm

AVAILABLE LENGTHS

Ref. nr.	surface finish	available lengths
B5392ANODA_1	Silver anodized	1000 mm
B5392ANODA_2	Silver anodized	2000 mm

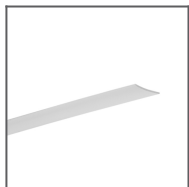
TECHNICAL DRAWING



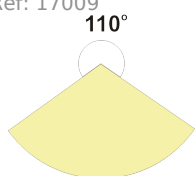
RELATED PRODUCTS

COVERS

FROSTED COVERS



T frosted Cover
Ref: 17009



END CAPS

REGULAR END CAPS



TAKO EKO white
End cap
Ref: 20053

ACCESSORIES

FASTENERS & MOUNTING ACCESSORIES

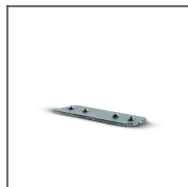


KDU Spring
Ref: 00844V1



ZD Block
Ref: 42521

COMPONENTS FOR CONNECTING PROFILES



ZD-180 Connector
Ref: 43501



ZD-90 Connector
Ref: 43502



ZD-135 Connector
Ref: 43503



ZD-PION-90
Connector
Ref: 43504



ZD-PION-135
Connector
Ref: 43505

SEALING COMPONENTS



6 x 1.2 Gland
Ref: 00802

MARKETING MATERIALS



Presentation set 6
Ref: 90125